

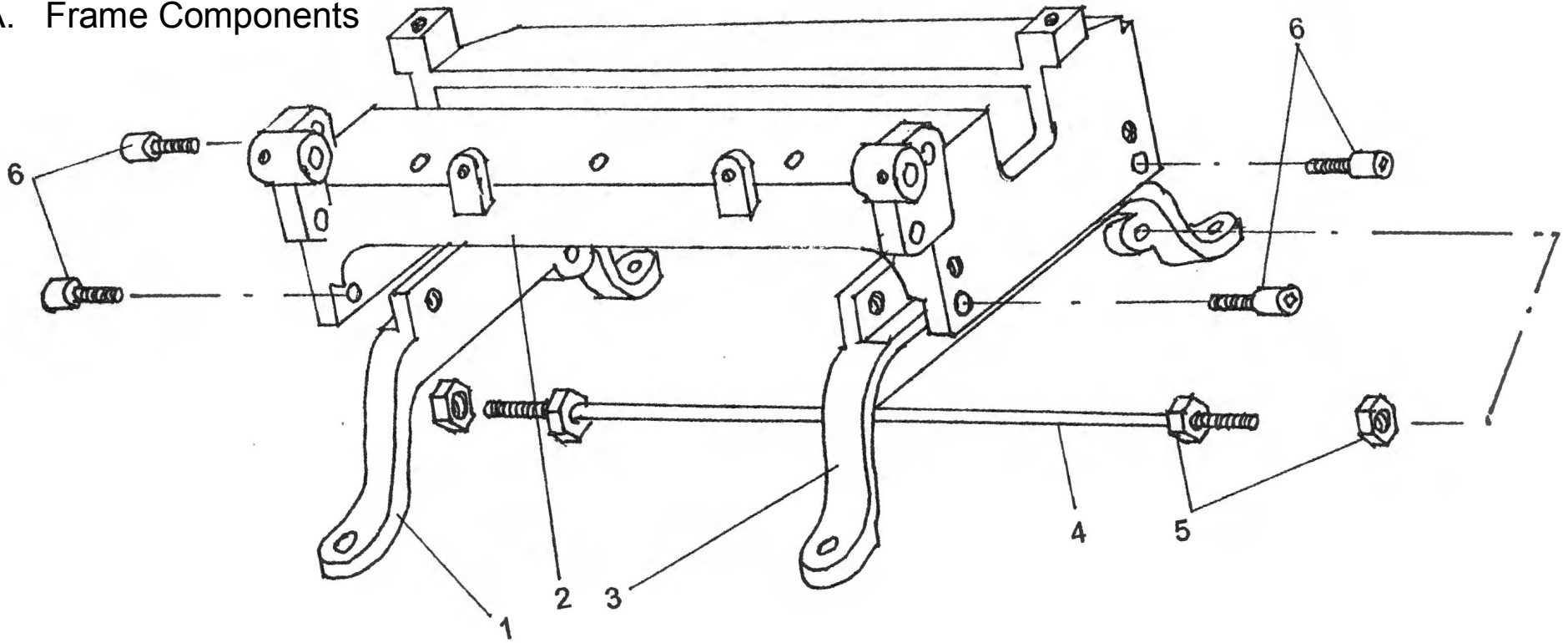
ARTISAN

TORO-LS 1020

**20" wide Stationary Knife Blade
Leather Splitting Machine
Manual**



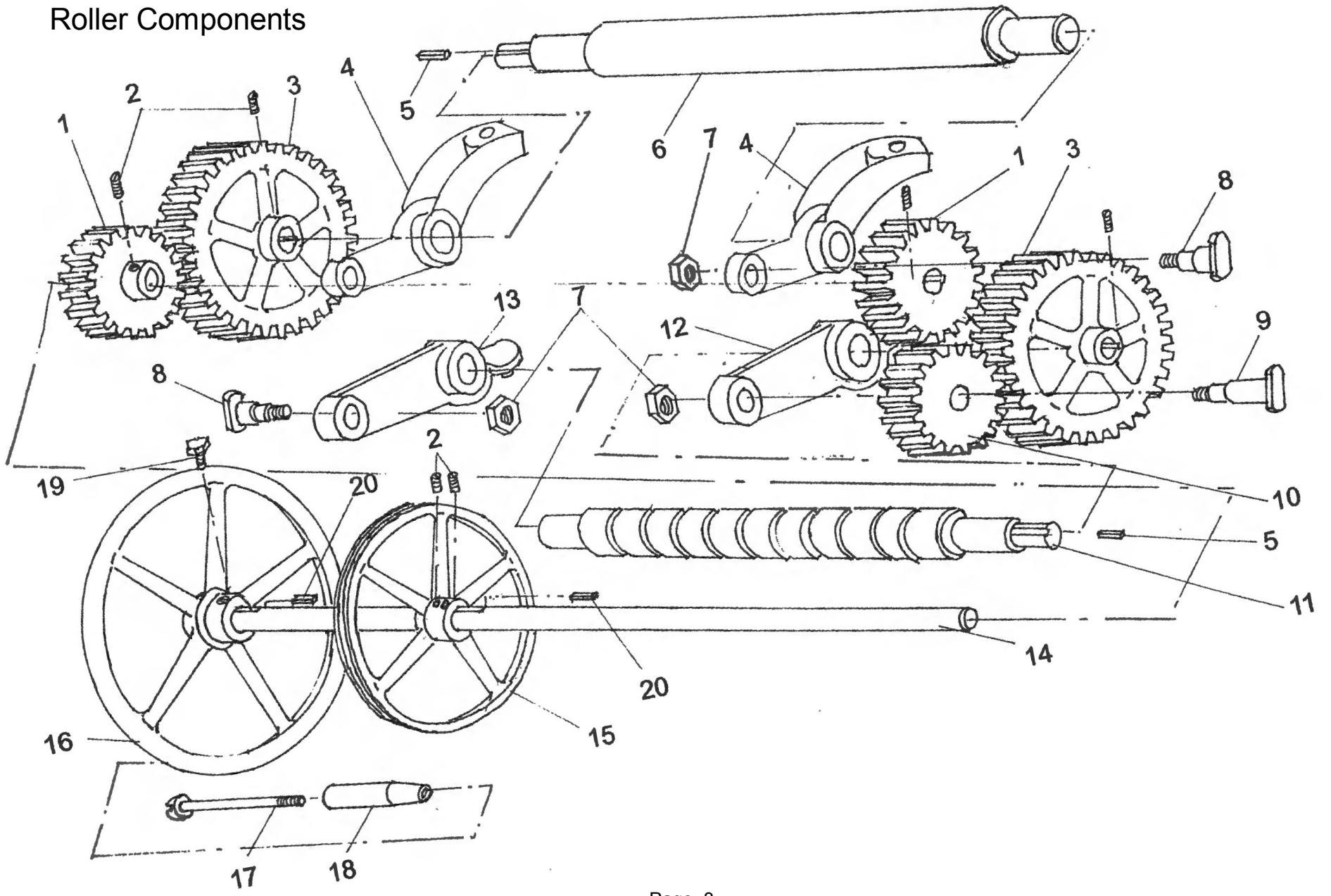
A. Frame Components



A. Frame Components

1	XPJ-002	1	
2	XPJ-001	1	
3	XPJ-003	1	
4	XPJ-043	1	
5	XPJ-044	4	
6	XPJ-001-1	4	

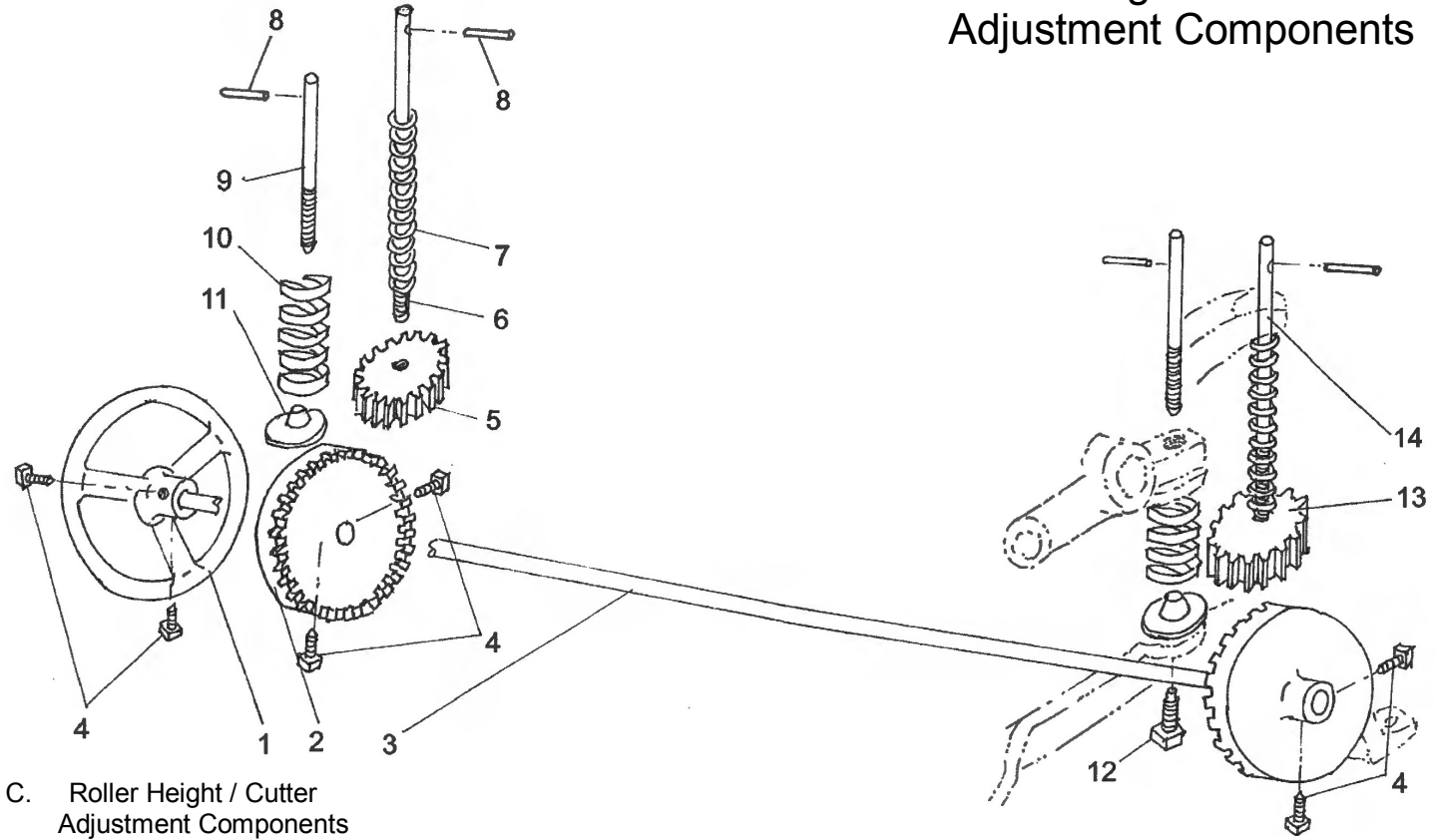
B. Shafts, Gears, and Feed Roller Components



B. Shafts, Gears, and Feed
Roller Components

1	XPJ-009		2	
2	XPJ		4	
3	XPJ-014		2	
4	XPJ-025		2	
5	XPJ-015		2	
6	XPJ-026		1	
7	XPJ-017-1		4	
8	XPJ-017		3	
9	XPJ-013		1	
10	XPJ-012		1	
11	XPJ-016		1	
12	XPJ-018		1	
13	XPJ-018-1		1	
14	XPJ-011		1	
15	XPJ-045		1	
16	XPJ-046		1	
17	XPJ-047		1	
18	XPJ-048		1	
19	XPJ-046-1		1	
20	XPJ-045-2		2	

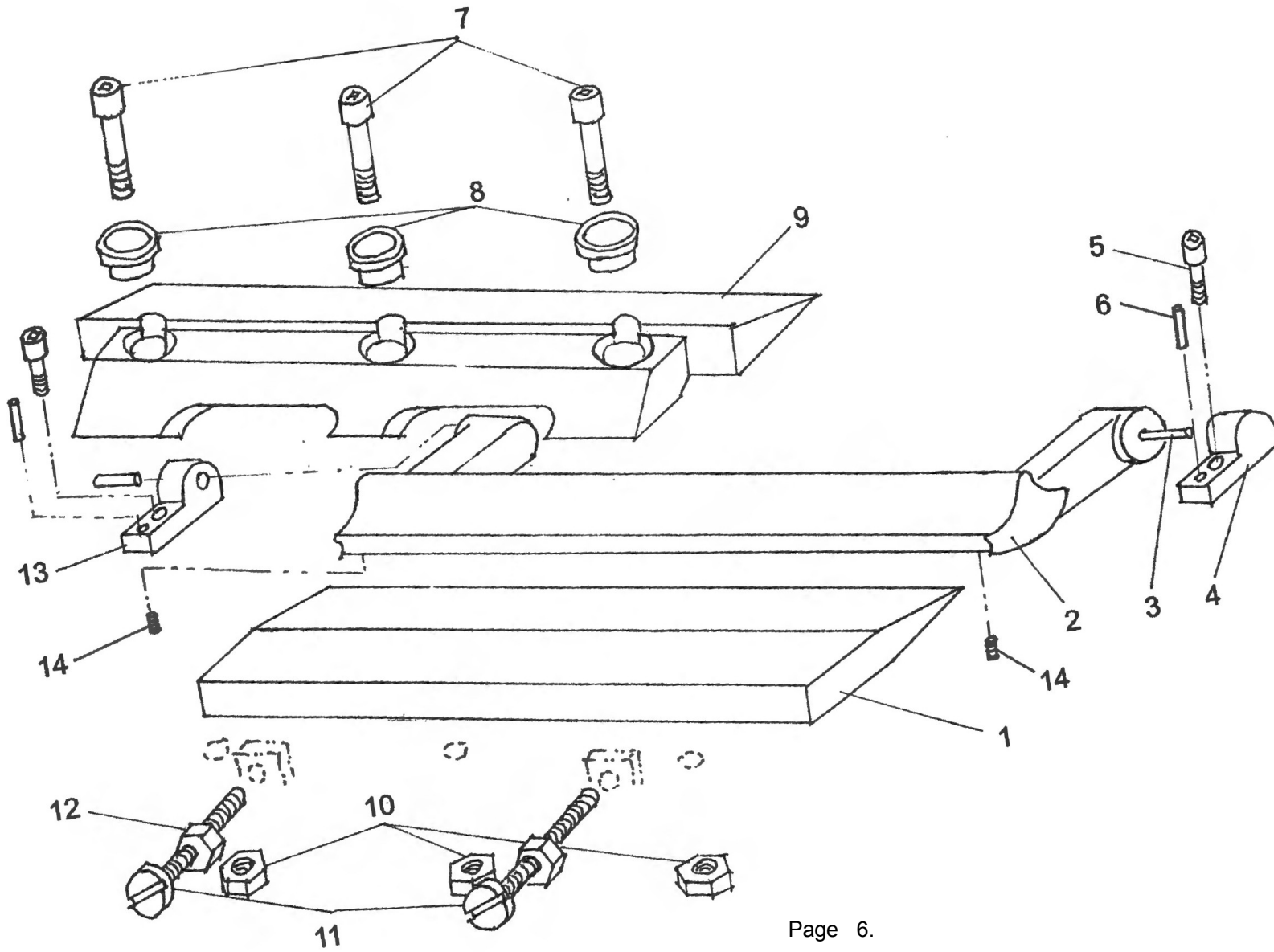
C. Roller Height / Cutter Adjustment Components



C. Roller Height / Cutter Adjustment Components

1	XPJ-033		1	
2	XPJ-031		2	
3	XPJ-032		1	
4	XPJ-031-1		6	
5	XPJ-030		1	
6	XPJ-029		1	
7	XPJ-027-1		2	
8	XPJ-020		4	
9	XPJ-019		2	
10	XPJ-022		2	
11	XPJ-023		2	
12	XPJ-024		2	
13	XPJ-028		1	
14	XPJ-027		1	

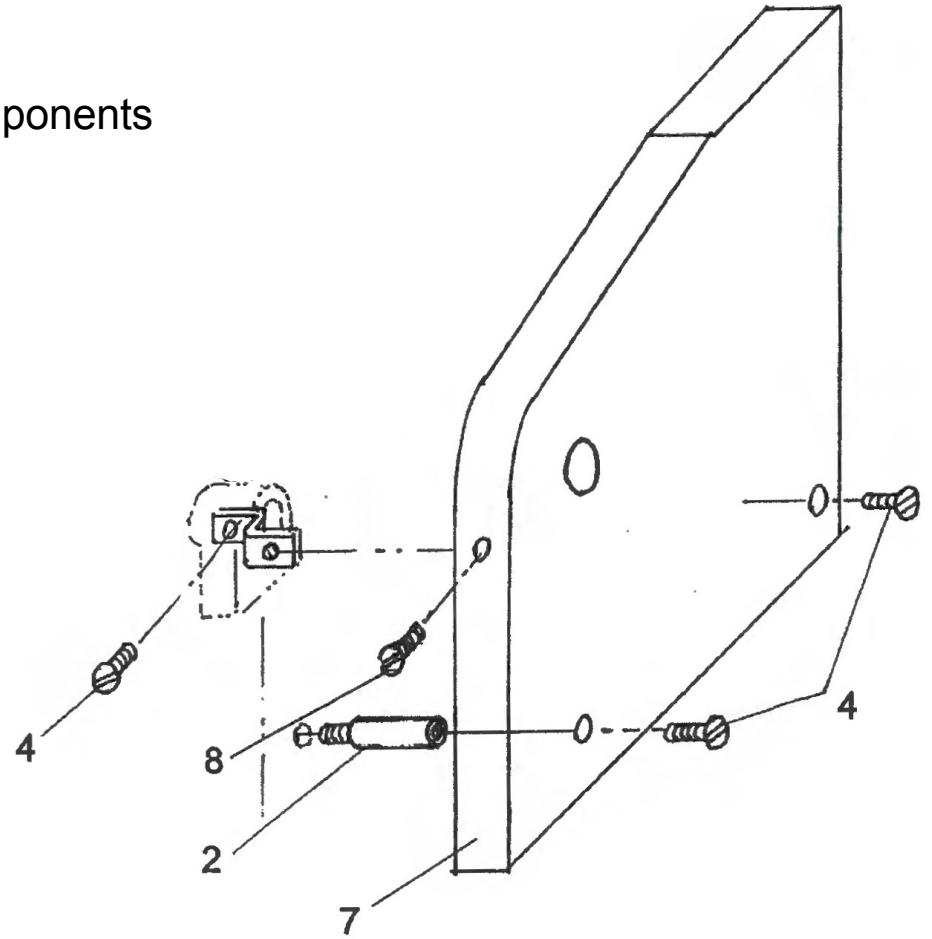
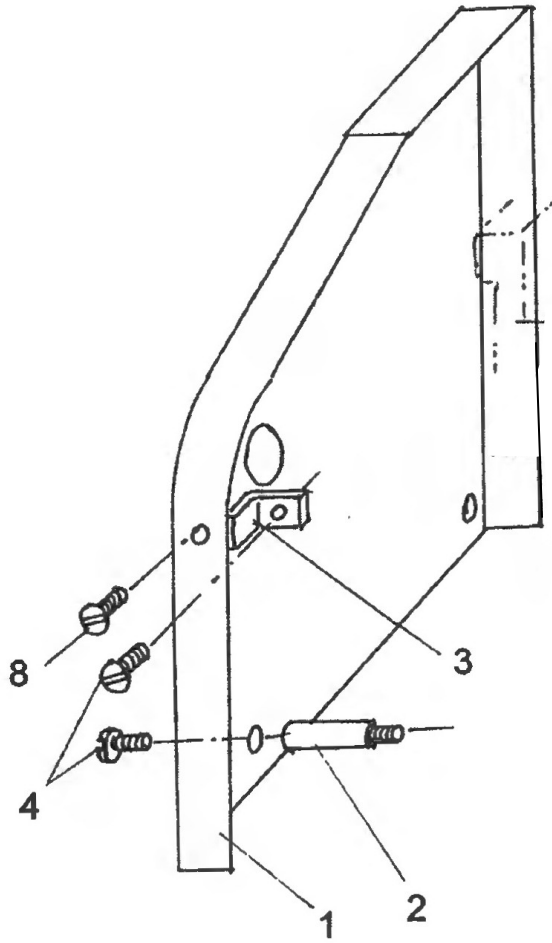
D. Cutting Blade Components



D. Cutting Blade Components

1	XPJ-034		1	
2	XPJ-039		1	
3	XPJ-042		2	
4	XPJ-041		1	
5	XPJ-040-1		2	
6	XPJ-040-2		2	
7	XPJ-036		3	
8	XPJ-035-1		3	
9	XPJ-035			
10	XPJ-037		3	
11	XPJ-034-1		2	
12	XPJ-021		2	
13	XPJ-040		1	
14	XPJ-039-1		2	

D. Side Cover Components



D. Side Cover Components

1	XPJ-004		1	
2	XPJ-006		4	
3	XPJ-007		2	
4	XPJ-008		6	
			4	
			1	
7	XPJ-005		1	
8	XPJ-006-1		2	