

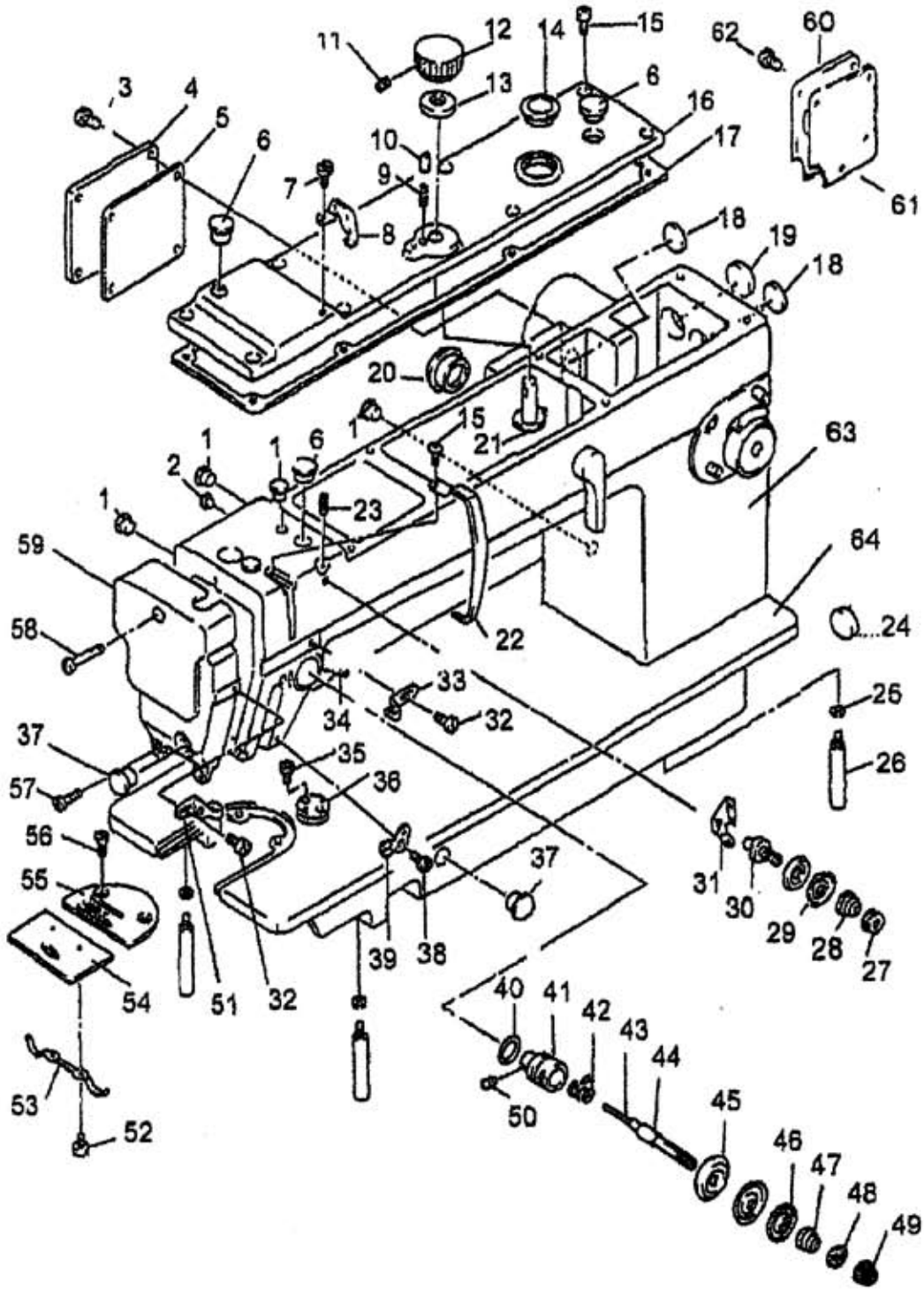
# ARTISAN®



**797 AB NS**  
SERIES

**Spare Parts List**

# A: ARM BED AND ITS ACCESSORIES



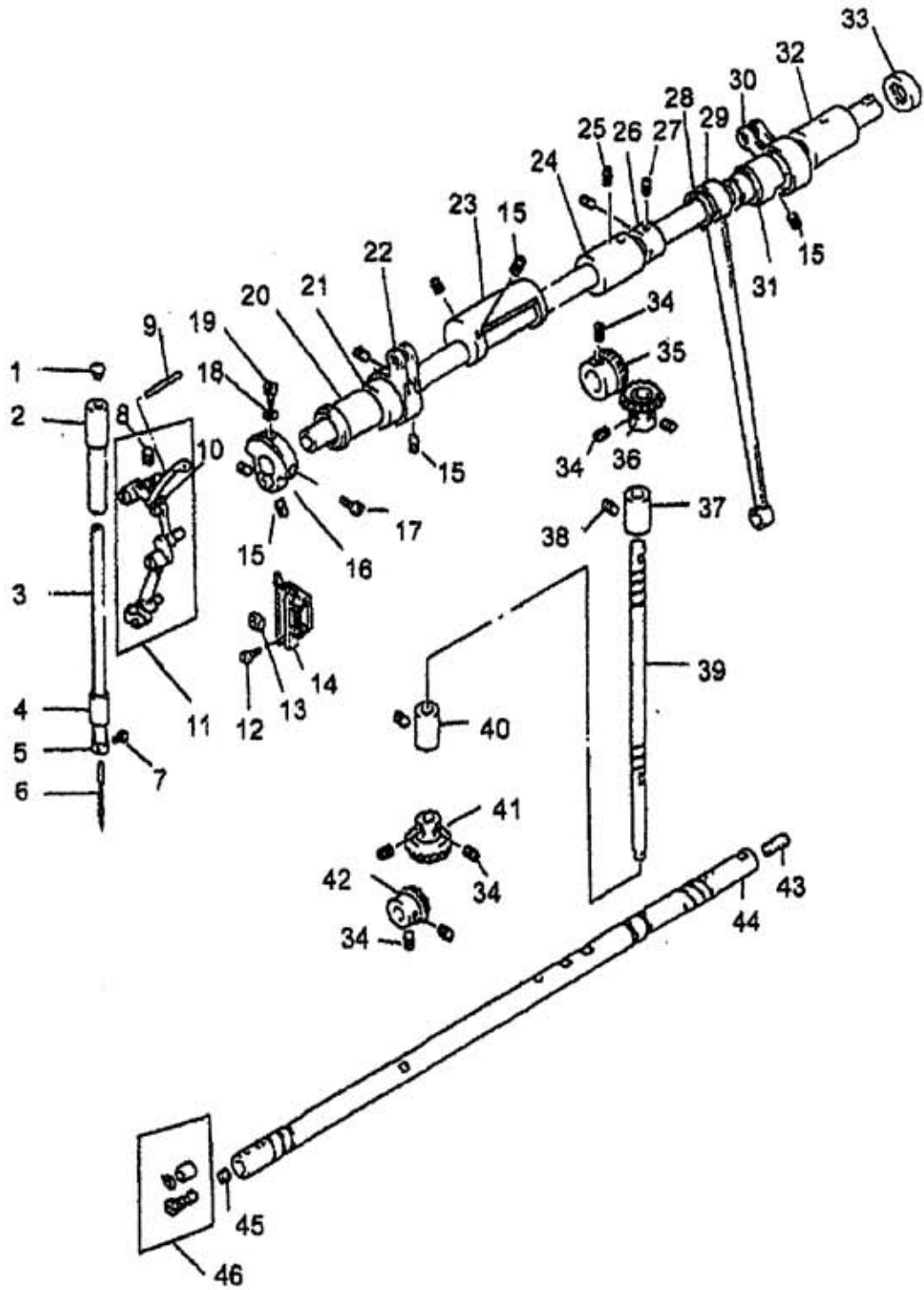
## A: ARM BED AND ITS ACCESSORIES

No.	Ref. No.	Description	Pcs.
A1	H6401001	Rubber plug	4
A2	H6401002	Rubber plug	1
A3	H6401003	Screw	4
A4	H6401004	Arm side cover	1
A5	H6401005	Gasket for arm side cover	1
A6	H6401006	Rubber plug	3
A7	H6401007	Screw	1
A8	H6401008	Thread guide	1
A9	H6401009	Coil spring for upper feed lifting	1
A10	H6401010	Stopper pin for upper feed lifting	1
A11	H6401011	Set screw	2
A12	H6401012	Dial for upper feed lifting	1
A13	H6401013	Plate for upper feed lifting	1
A14	H6401014	Oil check window	1
A15	H6401015	Screw	8
A16	H6401016	Top cover	1
A17	H6401017	Gasket for top cover	1
A18	H6401018	Rubber plug	2
A19	H6401019	Rubber plug	1
A20	H6401020	Rubber plug	1
A21	H6401021	Upper feed lifting regulator cam	1
A22	H6401022	Thread take-up cover	1
A23	H6401023	Set screw	1
A24	H6401024	Rubber plug	1
A25	H6401025	Spring washer	3
A26	H6401026	Leg	3
A27	H6401027	Pre-tension adjusting nut	1
A28	H6401028	Thread tension spring	1
A29	H6401029	Thread tension disc	2
A30	H6401030	Thread tension stud	1
A31	H6401031	Thread guide	1
A32	H6401032	Screw	2
A33	H6401033	Thread guide	1
A34	H6401034	Set screw	1
A35	H6401035	Screw	2
A36	H6401036	Cloth guide plate	1

A: ARM BED AND ITS ACCESSORIES

No.	Ref. No.	Description	Pcs.
A37	H6401037	Rubber plug	1
A38	H6401038	Screw	1
A39	H6401039	Thread guide	1
A40	H6401040	O-ring	1
A41	H6401041	Thread tension regulator bushing	1
A42	H6401042	Thread take-up spring	1
A43	H6401043	Thread releasing pin	1
A44	H6401044	Thread tension stud	1
A45	H6401045	Thread tension disc	2
A46	H6401046	Thread tension releasing disc	1
A47	H6401047	Thread tension spring	1
A48	H6401048	Thumb nut revolution stopper	1
A49	H6401049	Thumb nut	1
A50	H6401050	Screw	1
A51	H6401051	Thread guide	1
A52	H6401052	Screw	2
A53	H6401053	Plate spring for slide plate	1
A54	H6401054	Slide plate	1
A55	H6401055	Needle plate	1
A56	H6401056	Screw	2
A57	H6401057	Screw	2
A58	H6401058	Screw	1
A59	H6401059	Face plate	1
A60	H6401060	Arm bed cover	1
A61	H6401061	Gasket for arm bed cover	1
A62	H6401062	Screw	1
A63	H6401063	Arm	1
A64	H6401064	Bed	1

# B: SEWING MECHANISM



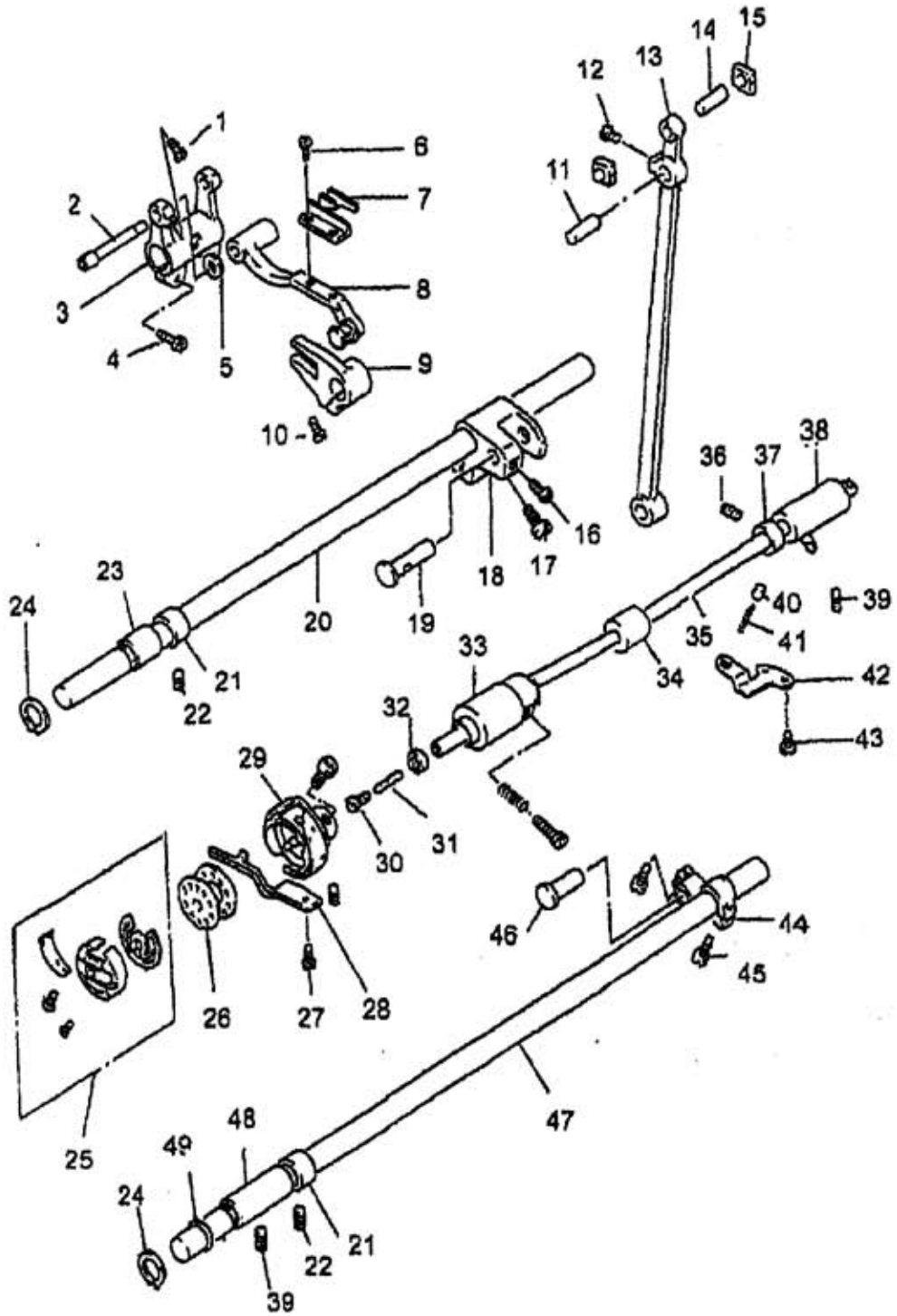
## B: SEWING MECHANISM

No.	Ref. No.	Description	Pcs.
B1	H6402001	Rubber plug	1
B2	H6402002	Needle bar bushing (upper)	1
B3	H6402003	Needle bar	1
B4	H6402004	Needle bar bushing (lower)	1
B5	H6402005	Thread guide	1
B6	H6402006	Needle	1
B7	H6402007	Set screw	1
B8	H6402008	Screw	1
B9	H6402009	Felt	1
B10	H6402010	Oil shade cap	1
B11	H6402011	Thread take-up lever assy	1
B12	H6402012	Screw	2
B13	H6402013	Slide block	1
B14	H6402014	Needle bar connecting link guide	1
B15	H6402015	Set screw	2
B16	H6402016	Needle bar crank	1
B17	H6402017	Screw	1
B18	H6402018	O-ring	1
B19	H6402019	Set screw	1
B20	H6402020	Upper shaft bushing (upper)	1
B21	H6402021	Upper feed lifting cam	1
B22	H6402022	Upper feed rock crank (left)	1
B23	H6402023	Balance weight	1
B24	H6402024	Upper shaft bushing (middle)	1
B25	H6402025	Screw	1
B26	H6402026	Collar for upper shaft	1
B27	H6402027	Screw	2
B28	H6402028	C-type retaining ring	1
B29	H6402029	Crank rock	1
B30	H6402030	Upper feed rock crank (right)	1
B31	H6402031	Upper feed lifting cam (right)	1
B32	H6402032	Upper shaft bushing (right)	1
B33	H6402033	Oil seal	1
B34	H6402034	Screw	8
B35	H6402035	Upper shaft gear	1
B36	H6402036	Vertical shaft gear (upper)	1

B: SEWING MECHANISM

No.	Ref. No.	Description	Pcs.
B37	H6402037	Vertical shaft bushing (upper)	1
B38	H6402038	Screw	2
B39	H6402039	Vertical shaft	1
B40	H6402040	Vertical shaft bushing (lower)	1
B41	H6402041	Vertical shaft gear (lower)	1
B42	H6402042	Lower shaft gear	1
B43	H6402043	Rubber plug	1
B44	H6402044	Upper shaft	1
B45	H6402045	Felt	1
B46	H6402046	Oil amount adjusting pin assy	1

C: SEWING MECHANISM & FEED ROCK LOWER SHAFT MECHANISM





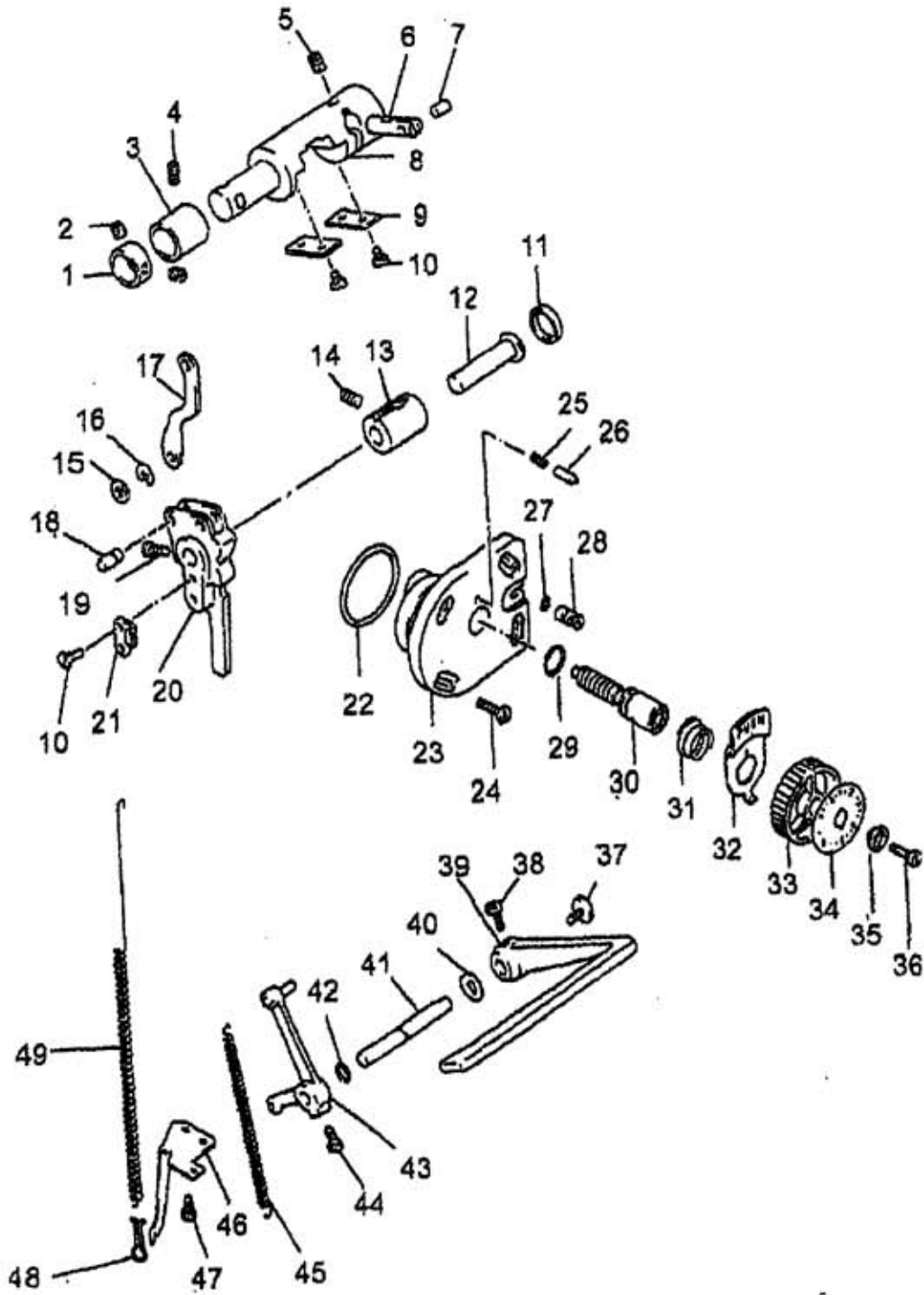
C: SEWING MECHANISM & FEED ROCK LOWER SHAFT MECHANISM

No.	Ref. No.	Description	Pcs.
C1	H6403001	Screw	1
C2	H6403002	Shaft for feed bar (eccentric)	1
C3	H6403003	Feed rock shaft crank	1
C4	H6403004	Screw	2
C5	H6403005	Washer	1
C6	H6403006	Screw	2
C7	H6403007	Feed dog	1
C8	H6403008	Feed bar assay	1
C9	H6403009	Feed lifting rock shaft fork	1
C10	H6403010	Screw	1
C11	H6403011	Upper feed rock shaft	1
C12	H6403012	Screw	1
C13	H6403013	Connecting rod for upper feed	1
C14	H6403014	Upper feed rock shaft	1
C15	H6403015	Square block	2
C16	H6403016	Screw	1
C17	H6403017	Screw	1
C18	H6403018	Feed rock shaft crank (right)	1
C19	H6403019	Pin	1
C20	H6403020	Feed rock shaft	1
C21	H6403021	Collar for feed rock shaft	2
C22	H6403022	Screw	4
C23	H6403023	Bushing for feed rock shaft	1
C24	H6403024	C-type retaining ring	1
C25	H6403025	Bobbin case	1
C26	H6403026	Bobbin	1
C27	H6403027	Screw	1
C28	H6403028	Hook positioner	1
C29	H6403029	Rotating hook	1
C30	H6403030	Screw	1
C31	H6403031	Oil felt for hook shaft	1
C32	H6403032	Oil seal	1
C33	H6403033	Bushing for hook shaft (left)	1
C34	H6403036	Bushing for hook shaft (middle)	1
C35	H6403037	Hook shaft	1
C36	H6403038	Screw	2

C: SEWING MECHANISM & FEED ROCK LOWER SHAFT MECHANISM

No.	Ref. No.	Description	Pcs.
C37	H6403039	Collar for hook shaft	1
C38	H6403040	Bushing for hook shaft (right)	1
C39	H6403041	Screw	1
C40	H6403042	Plunger	1
C41	H6403043	Coil spring	1
C42	H6403044	Guide plate	1
C43	H6403045	Screw	1
C44	H6403046	Feed lifting rock shaft crank (right)	1
C45	H6403047	Screw	2
C46	H6403048	Pin	1
C47	H6403049	Feed lifting rock shaft	1
C48	H6403050	Bushing for feed lifting shaft	1
C49	H6403051	Washer	1

D: STITCH LENGTH MECHANISM



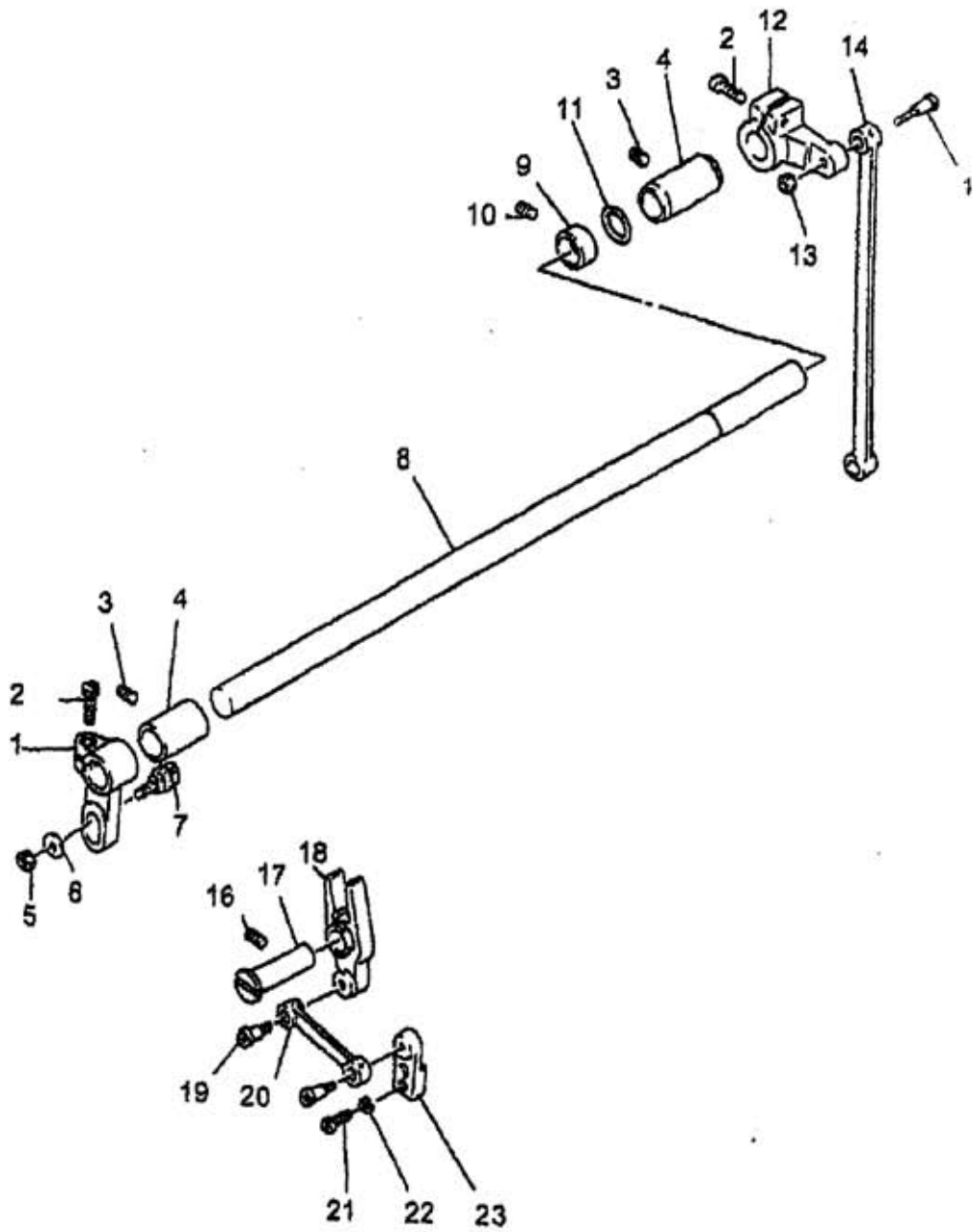
## D: STITCH LENGTH MECHANISM

No.	Ref. No.	Description	Pcs.
D1	H6404001	Collar for reverse bar	1
D2	H6404002	Screw	2
D3	H6404003	Bushing for reverse bar	1
D4	H6404004	Screw	1
D5	H6404005	Screw	1
D6	H6404006	Bracket pin	1
D7	H6404007	Pin	1
D8	H6404008	Reverse bar	1
D9	H6404009	Guide plate	2
D10	H6404010	Screw	8
D11	H6404011	Rubber plug	1
D12	H6404012	Pin	1
D13	H6404013	Bushing for feed regulator	1
D14	H6404014	Screw	1
D15	H6404015	Washer	2
D16	H6404016	E-type ring	2
D17	H6404017	Link	1
D18	H6404019	Pin	2
D19	H6404020	Screw	1
D20	H6404021	Feed regulator	1
D21	H6404022	Spring retainer	1
D22	H6404023	O-ring	1
D23	H6404024	Bracket	1
D24	H6404025	Screw	4
D25	H6404026	Spring for stopper pin	1
D26	H6404027	Stopper pin	1
D27	H6404028	O-ring	1
D28	H6404029	Feed regulator pin	1
D29	H6404030	O-ring	1
D30	H6404031	Screw bar	1
D31	H6404032	Coil spring	1
D32	H6404033	Stopper pin releasing lever	1
D33	H6404034	Dial	1
D34	H6404035	Plate for stitch length	1
D35	H6404036	Bushing	1
D36	H6404037	Screw	1

## D: STITCH LENGTH MECHANISM

No.	Ref. No.	Description	Pcs.
D37	H6404038	Screw	1
D38	H6404039	Screw	2
D39	H6404040	Feed reversing lever	1
D40	H6404041	Spring washer	1
D41	H6404042	Feed reversing lever shaft	1
D42	H6404043	O-ring	1
D43	H6404044	Crank for feed reversing lever	1
D44	H6404045	Screw	1
D45	H6404046	Spring	1
D46	H6404047	Spring holder	1
D47	H6404048	Screw	1
D48	H6404049	Spring holder	1
D49	H6404050	Coil spring	1

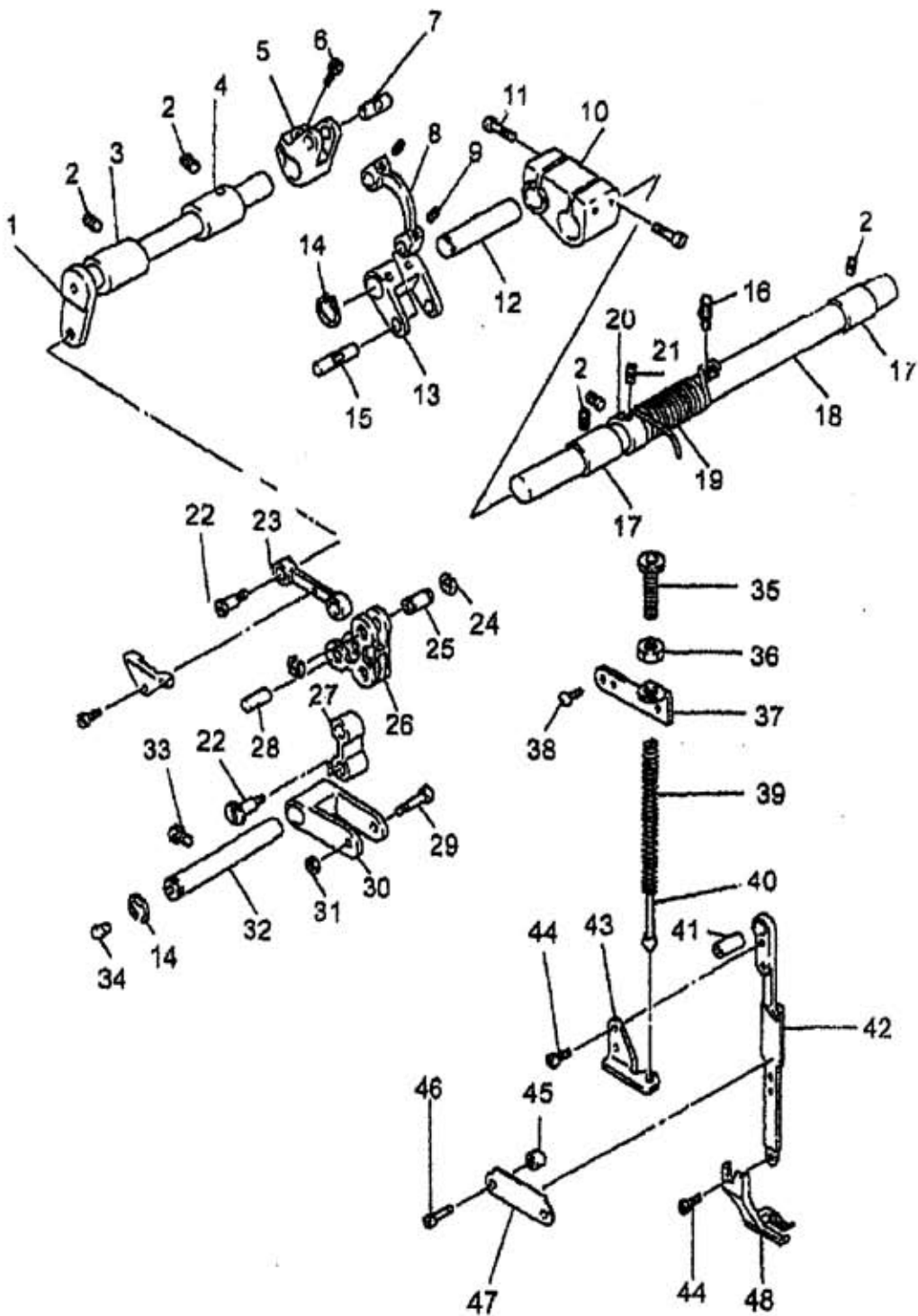
# E: UPPER FEED ROCK SHAFT MECHANISM



E: UPPER FEED ROCK SHAFT MECHANISM

No.	Ref. No.	Description	Pcs.
E1	H6405001	Upper feed rock shaft crank (left)	1
E2	H6405002	Screw	2
E3	H6405003	Screw	2
E4	H6405004	Bushing for upper feed rock shaft crank	2
E5	H6405005	Nut	1
E6	H6405006	Washer	1
E7	H6405007	Feed connecting slick block	1
E8	H6405008	Upper feed rock shaft	1
E9	H6405009	Collar	1
E10	H6405010	Screw	2
E11	H6405011	O-ring	1
E12	H6405012	Upper feed rock shaft crank (right)	1
E13	H6405013	Nut	1
E14	H6405014	Feed driver connecting rod	1
E15	H6405015	Screw	1
E16	H6405016	Screw	1
E17	H6405017	Hinge pin	1
E18	H6405018	Feed connecting lever	1
E19	H6405019	Screw	2
E20	H6405020	Walking foot connecting rod	1
E21	H6405021	Screw	2
E22	H6405022	Spring washer	2
E23	H6405023	Feed arm	1

# F: UPPER FEED LIFTING ROCK SHAFT MECHANISM





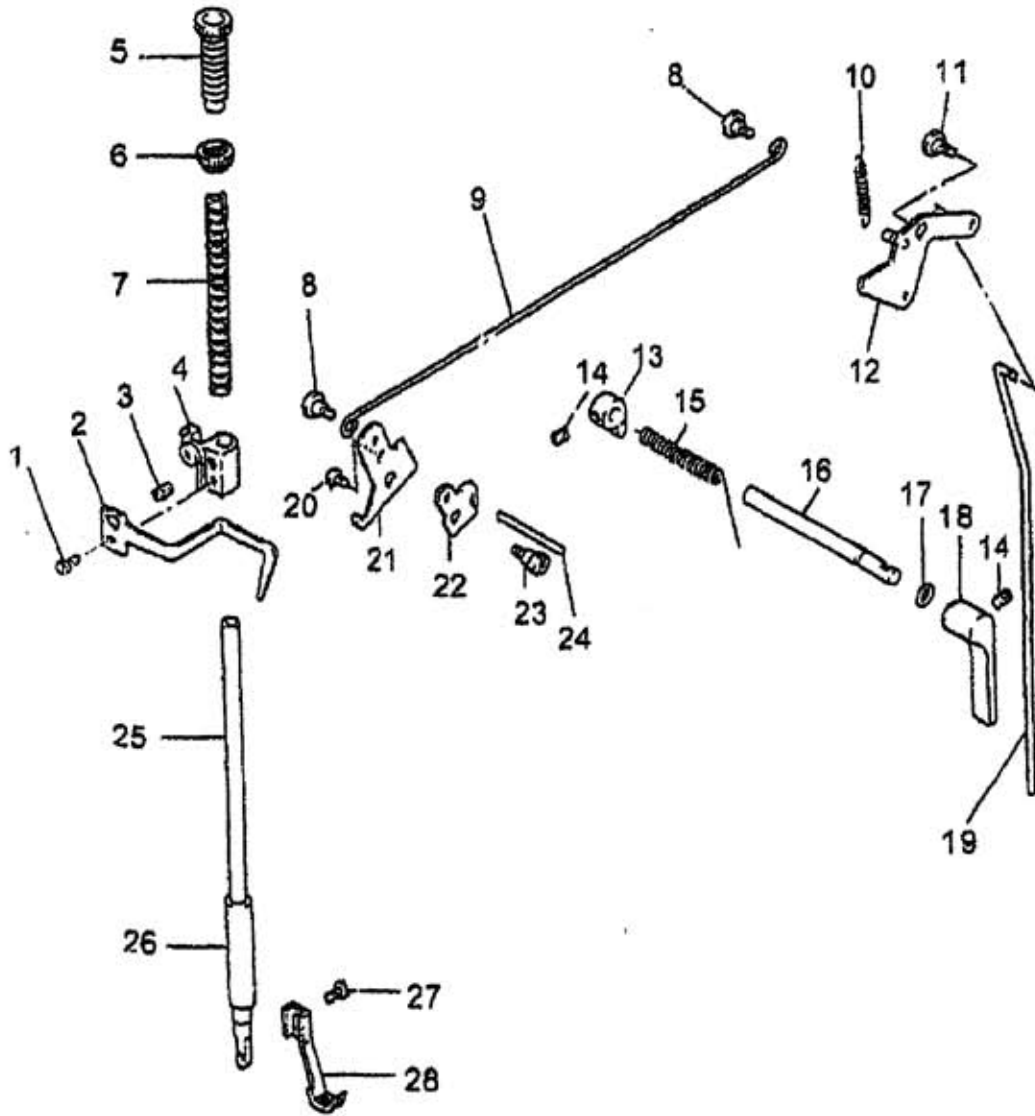
## F: UPPER FEED LIFTING ROCK SHAFT MECHANISM

No.	Ref. No.	Description	Pcs.
F1	H6406001	Upper feed lifting rock shaft	1
F2	H6406002	Screw	4
F3	H6406003	Bushing for upper feed lifting rock shaft	1
F4	H6406004	Bushing for upper feed lifting rock shaft	1
F5	H6406005	Upper feed lifting rock crank	1
F6	H6406006	Screw	1
F7	H6406007	Upper feed lifting rock crank shaft	1
F8	H6406008	Link	1
F9	H6406009	Screw	2
F10	H6406010	Upper feed regulator bracket	1
F11	H6406011	Screw	4
F12	H6406012	Shaft for upper feed lifting rock shaft	1
F13	H6406013	Crank for upper feed lifting rock crank	1
F14	H6406014	C-type ring	1
F15	H6406015	Pin	1
F16	H6406016	Cam follower	1
F17	H6406017	Bushing for upper feed shaft	2
F18	H6406018	Upper feed regulator shaft	1
F19	H6406019	Spring	1
F20	H6406020	Collar	1
F21	H6406021	Screw	2
F22	H6406022	Screw	2
F23	H6406023	Link for feed lifting rock shaft	1
F24	H6406024	E-type ring	2
F25	H6406025	Pin	1
F26	H6406026	Bell crank	1
F27	H6406027	Link	1
F28	H6406028	Pin	1
F29	H6406029	Stud screw	1
F30	H6406030	Bell crank support	1
F31	H6406031	Nut	1
F32	H6406032	Bell crank support shaft	1
F33	H6406033	Screw	1
F34	H6406034	Rubber plug	1
F35	H6406035	Thumb screw	1
F36	H6406036	Nut	1

F: UPPER FEED LIFTING ROCK SHAFT MECHANISM

No.	Ref. No.	Description	Pcs.
F37	H6406037	Presser regulating bracket	1
F38	H6406038	Screw	2
F39	H6406039	Spring	1
F40	H6406040	Spring guide bar assy	1
F41	H6406041	Bushing for walking foot guide link	1
F42	H6406042	Walking foot guide link	1
F43	H6406043	Spring guide bar holder	1
F44	H6406044	Screw	3
F45	H6406045	Washer	2
F46	H6406046	Screw	2
F47	H6406047	Walking foot guide bracket	1
F48	H6406048	Walking foot	1

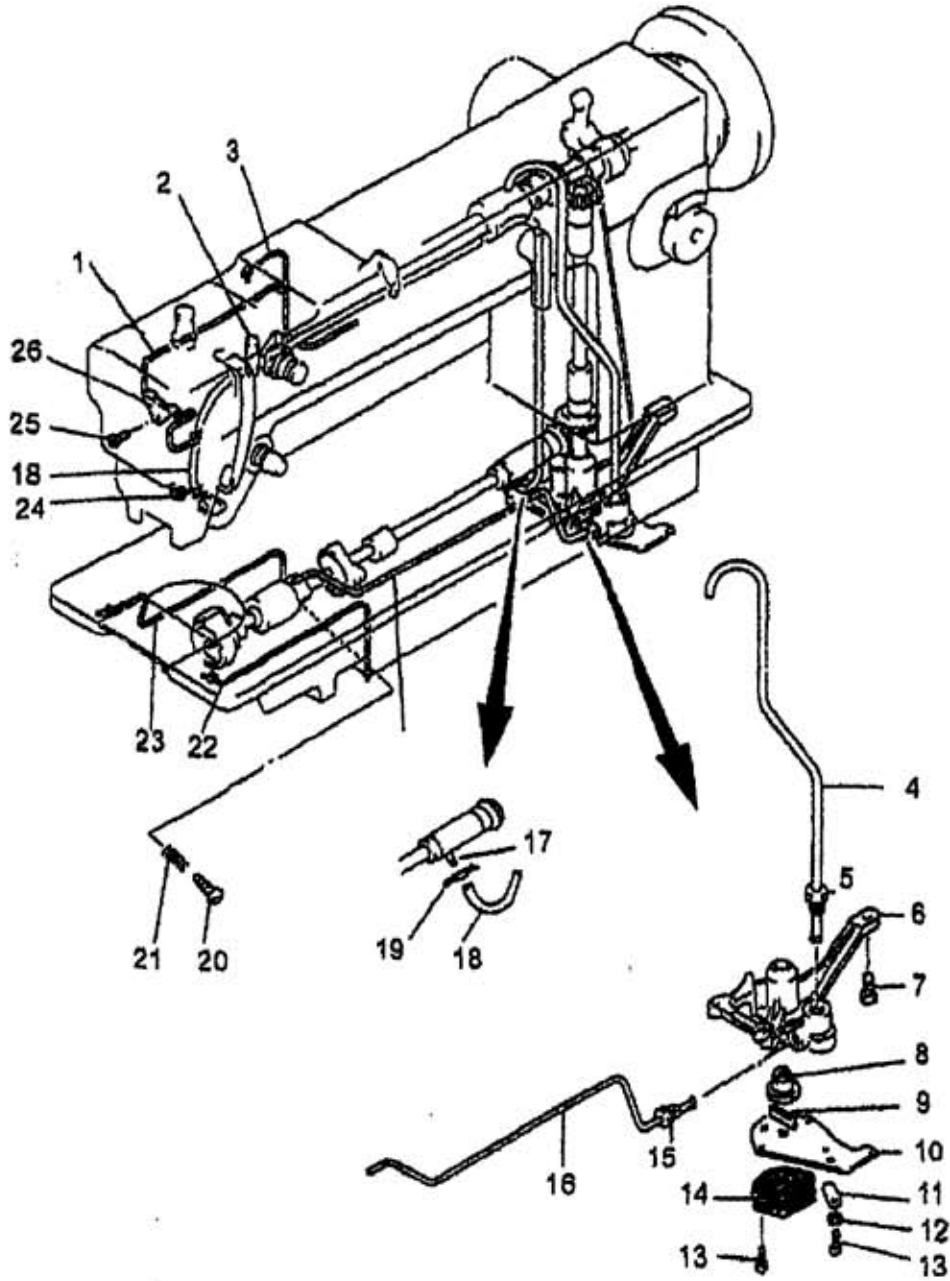
# G: PRESSER FOOT MECHANISM



## G: PRESSER FOOT MECHANISM

No.	Ref. No.	Description	Pcs.
G1	H6407001	Screw	1
G2	H6407002	Thread guide	1
G3	H6407003	Presser bar guide bracket	1
G4	H6407004	Screw	1
G5	H6407005	Thumb screw	1
G6	H6407006	Nut	1
G7	H6407007	Presser bar spring	1
G8	H6407008	Screw	2
G9	H6407009	Knee lifter rod	1
G10	H6407010	Spring	1
G11	H6407011	Stud bolt	1
G12	H6407012	Knee lifter lever	1
G13	H6407013	Presser bar lifting cam	1
G14	H6407014	Screw	2
G15	H6407015	Spring	1
G16	H6407016	Presser bar lifting shaft	1
G17	H6407017	O-ring	1
G18	H6407018	Presser bar lifter	1
G19	H6407019	Knee lifter connecting rod	1
G20	H6407020	Screw	1
G21	H6407021	Knee lifter lever (left)	1
G22	H6407022	Tension releasing cam	1
G23	H6407023	Stud bolt	1
G24	H6407024	Thread releasing pin	1
G25	H6407025	Presser bar	1
G26	H6407026	Bushing for presser bar	1
G27	H6407027	Screw	1
G28	H6407028	Presser foot	1

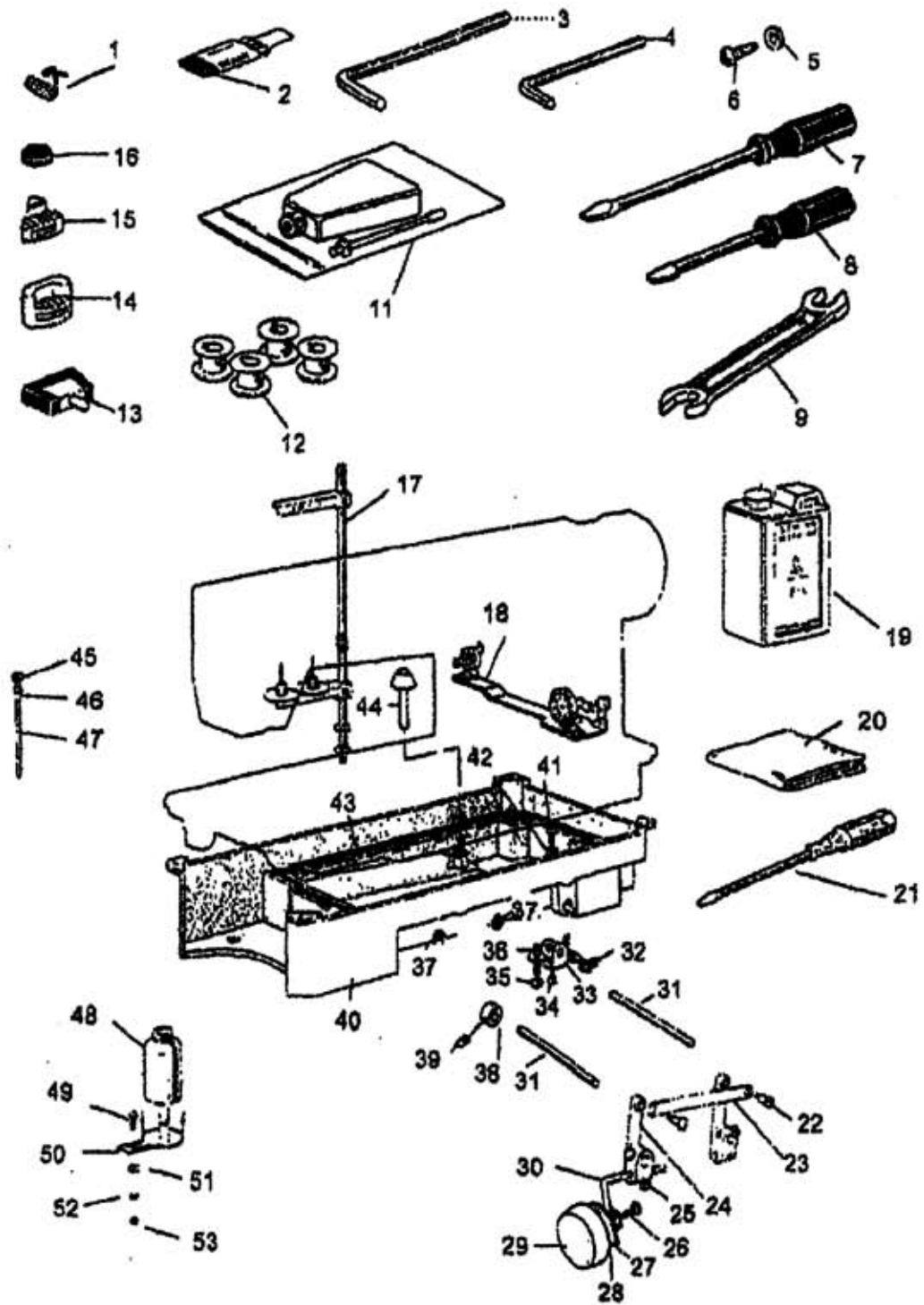
# H: OIL LUBRICATION MECHANISM



## H: OIL LUBRICATION MECHANISM

No.	Ref. No.	Description	Pcs.
H1	H6408001	Oil wick	1
H2	H6408002	Oil felt	1
H3	H6408003	Oil wick	1
H4	H6408004	Upper shaft oil tube	1
H6	H6408005	Bushing	1
H6	H6408006	Oil pump	1
H7	H6408007	Screw	3
H8	H6408008	Rooter	1
H9	H6408009	Slider	1
H10	H6408010	Oil pump cover	1
H11	H6408011	Oil adjusting plate	1
H12	H6408012	Spring washer	1
H13	H6408013	Screw	3
H14	H6408014	Oil pump filter	1
H15	H6408015	Bushing	1
H16	H6408016	Lower shaft oil tube	1
H17	H6408017	Oil pipe for lower shaft bushing	1
H18	H6408018	Oil return tube	1
H19	H6408019	Oil return tube clip	1
H20	H6408020	Oil adjusting screw	1
H21	H6408021	Oil adjusting spring	1
H22	H6408022	Oil wick	1
H23	H6408023	Oil wick	1
H24	H6408024	Oil felt holder	1
H25	H6408025	Screw	1
H26	H6408026	Oil wick holder	1

# I: ACCESSORIES



# I: ACCESSORIES

No.	Ref. No.	Description	Pcs.
I1	H6411001	Thread take-up spring	1
I2	H6411002	Needle	4
I3	H6411003	Socket wrench 3	1
I4	H6411004	Socket wrench 2	1
I5	H6411005	Washer for wood screw	4
I6	H6411006	Wood screw	4
I7	H6411007	Screw driver (middle)	1
I8	H6411008	Screw driver (small)	1
I9	H6411009	Spanner	1
I11	H6411010	Oil with oiler	1
I12	H6411011	Bobbin	4
I13	H6411012	Hinge with rubber cushion	2
I14	H6411013	Vibration preventing rubber (large)	2
I15	H6411014	Vibration preventing rubber (small)	2
I16	H6411015	Magnet block	1
I17	H6411016	Thread stand assay	1
I18	H6411017	Bobbin winder assay	1
I19	H6411018	Oil tank	1
I20	H6411019	Cover	1
I21	H6411020	Screw driver (large)	1
I22	H6411021	Screw	2
I23	H6411022	Link	1
I24	H6411023	Knee lifter driving crank	2
I25	H6411024	Bolt	3
I26	H6411025	Bolt	1
I27	H6411026	Knee lifter plate stopper	1
I28	H6411027	Knee lifter plate	1
I29	H6411028	Knee lifter cover	1
I30	H6411029	Knee lifter shaft	1
I31	H6411030	Knee lifter shaft	2
I32	H6411031	Coil spring	1
I33	H6411032	Knee lifter	1
I34	H6411033	Screw	1
I35	H6411034	Nut	2
I36	H6411035	Set screw	2
I37	H6411036	E-type ring	1



# I: ACCESSORIES

No.	Ref. No.	Description	Pcs.
138	H6411037	Collar	1
139	H6411038	Screw	2
140	H6411039	Oil reservoir	1
141	H6411040	Screw	1
142	H6411041	Seal washer	1
143	H6411042	Gasket for oil reservoir	2
144	H6411043	Knee lifter lifting pin	1
145	H6411044	Gasket	1
146	H6411045	Screw	1
147	H6411046	Drainage tube	1
148	H6411047	Oil bottle	1
149	H6411048	Screw	1
150	H6411049	Oil bottle holder	1
151	H6411050	Washer	1
152	H6411051	Spring washer	1
153	H6411052	Nut	1