

# ARTISAN®



Model

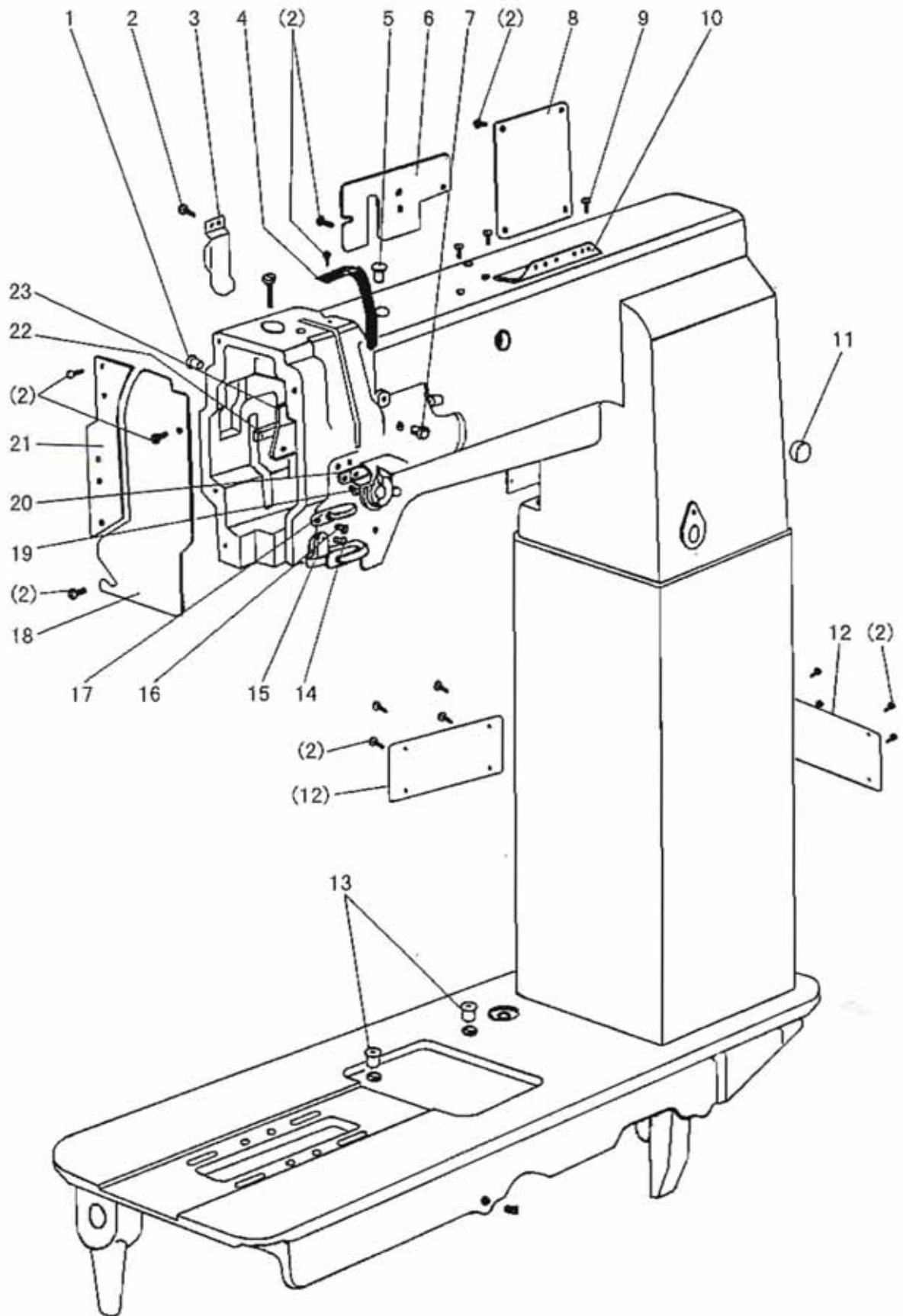
# 6199

Series

**17" Tall Post, Compound Needle Feed  
Walking Foot Sewing Machine  
with Tilt Loading**

**Instruction  
and  
Spare Parts  
Manual**

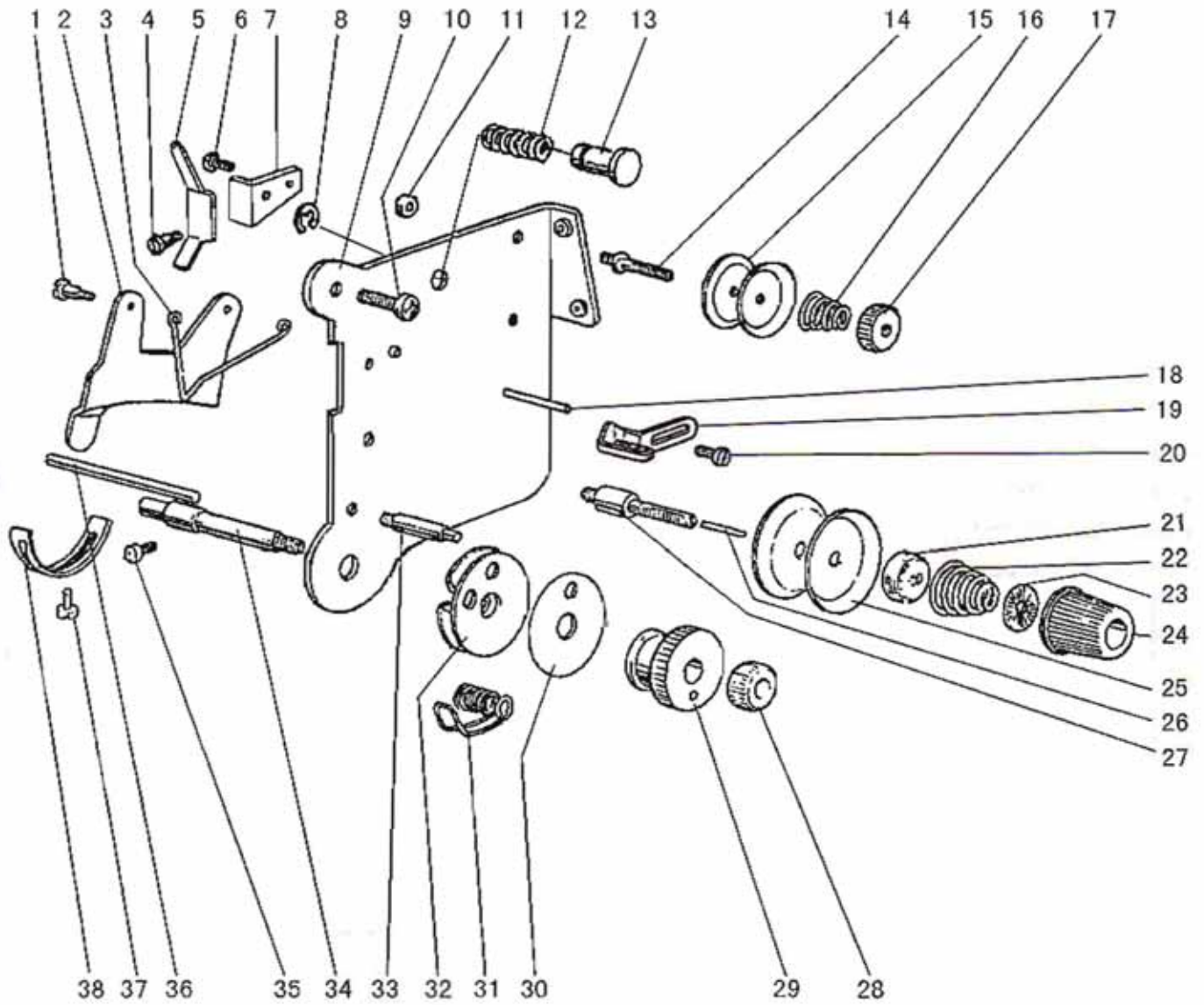
# A. ARM BED AND ITS ACCESSORIES



## A. ARM BED AND ITS ACCESSORIES

No.	part No.	Description	Pcs.	Remarks
A1	HA300B2090	Rubber plug	2	
A2	HA300B2170	Screw	22	
A3	H4716B8001	Oil guard plate	1	
A4	H4717B8001	Thread take-up cover	1	
A5	H4715B8001	Rubber plug	1	
A6	H4718B8001	Side cover(left)	1	
A7	H2000B2010	Rubber plug	1	
A8	H4719B8001	Side cover(right)	1	
A9	HA700B2060	Screw	2	
A10	H2400B2100	Thread guide	1	
A11	HA307B0673	Rubber plug	1	
A12	H7117B8001	Cover	1	
A13	H2000M0090	Cap	2	
A14	H3200B2100	Screw	1	
A15	H3212B0066	Needle plate	1	
A16	H3000D2160	Screw	1	
A17	H4726B8001	Thread guide	1	
A18	H4727B8001	Plate	1	
A19	H2400B2080	Screw	2	
A20	H2400B2070	Thread guide	1	
A21	H4730B8001	Guide mounting plate	1	
A22	H2400B2060	Plate for oil guide	1	
A23	H3200B2060	Oil guard	1	

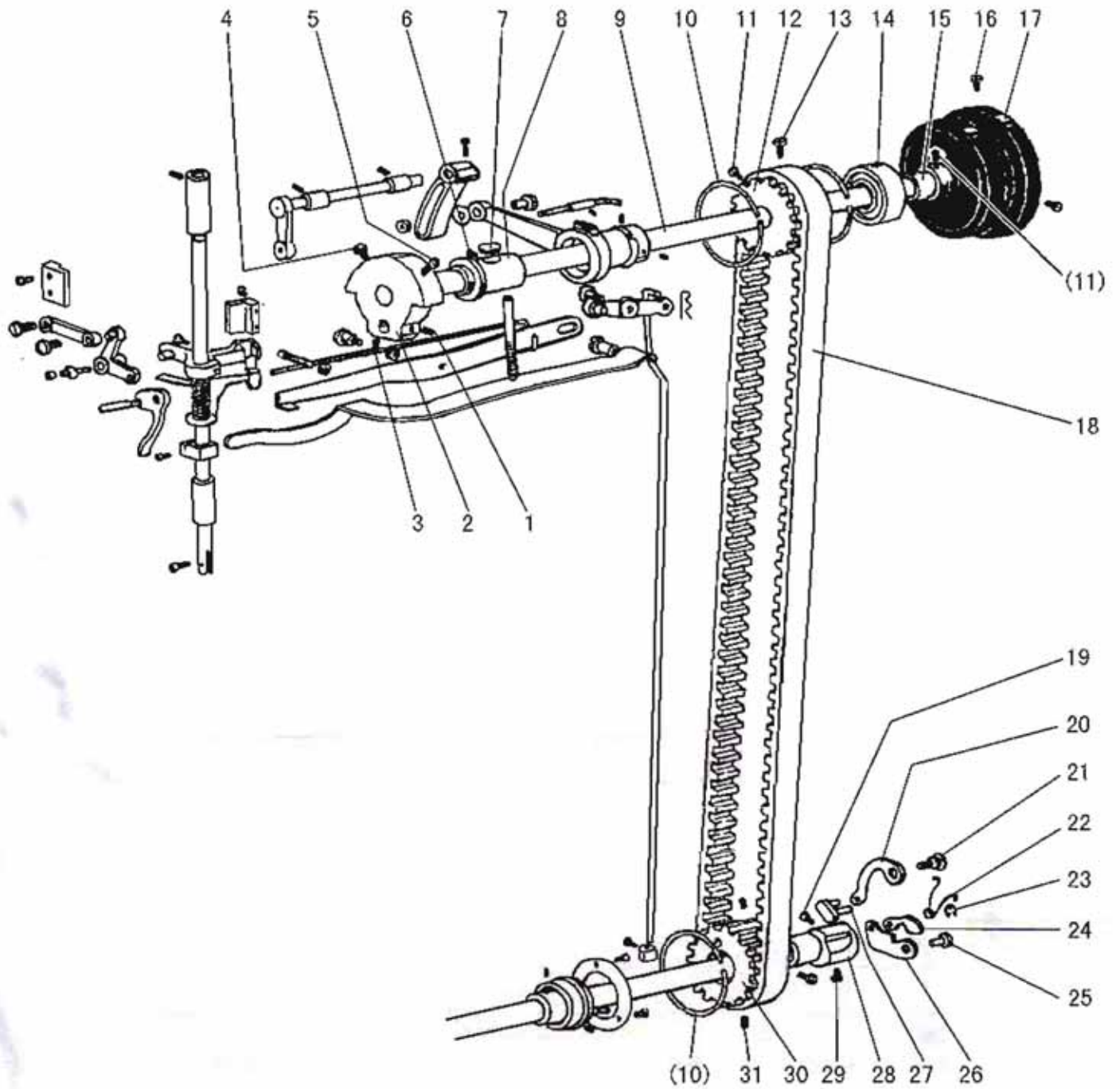
# B. THREAD TENSION REGULATOR MECHANISM



**B: THREAD TENSION REGULATOR MECHANISM**

No.	part No.	Description	Pcs.	Remarks
B1	H3221B6811	Screw	2	
B2	H3221B3142	Tension releasing plate	1	
B3	H3221B6812	Tension releasing spring	1	
B4	H4705C8001	Screw	1	
B5	H4706C8001	Lever	1	
B6	HA7311C306	Screw	1	
B7	H4707C8001	Mounting plate	1	
B8	H007013050	Stop ring	1	
B9	H3221B6820	Mounting plate	1	
B10	HA300C2020	Screw	2	
B11	H3221B6810	Nut	2	
B12	H4708C8001	spring	1	
B13	H4709C8001	Push button	1	
B14	H3221B0686	Screw	1	
B15	HA112B0693	Thread tension disk	2	
B16	H3221B0684	Spring	1	
B17	HA710B0671	Nut	1	
B18	H3221B6816	Pin	1	
B19	H3306B0661	Thread guide	1	
B20	HA106B0676	Screw	1	
B21	HA310B0702	Thread tension disk	1	
B22	H4710C8001	Spring	1	
B23	HA115B7010	Thumb nut revolution stopper	1	
B24	HA310B0701	Thumb nut complete	1	
B25	HA310B0705	Thread tension disk	2	
B26	H3221B6816	Pin	1	
B27	H3221B0686	Screw	1	
B28	H32481B721	Nut	1	
B29	H32481B621	Take-up spring guide	1	
B30	H32481BE21	Plate	1	
B31	H32481B221	Spring	1	
B32	H32481BD21	Plate complete	1	
B33	H4804C8001	Screw	1	
B34	H4805C8001	Screw	1	
B35	H3230K0751	Screw	1	
B36	H3221B6817	Pin	1	
B37	H3221B6818	Pin	1	
B38	H3200B2100	Screw	1	
B39	H3221B6819	Stopper	1	

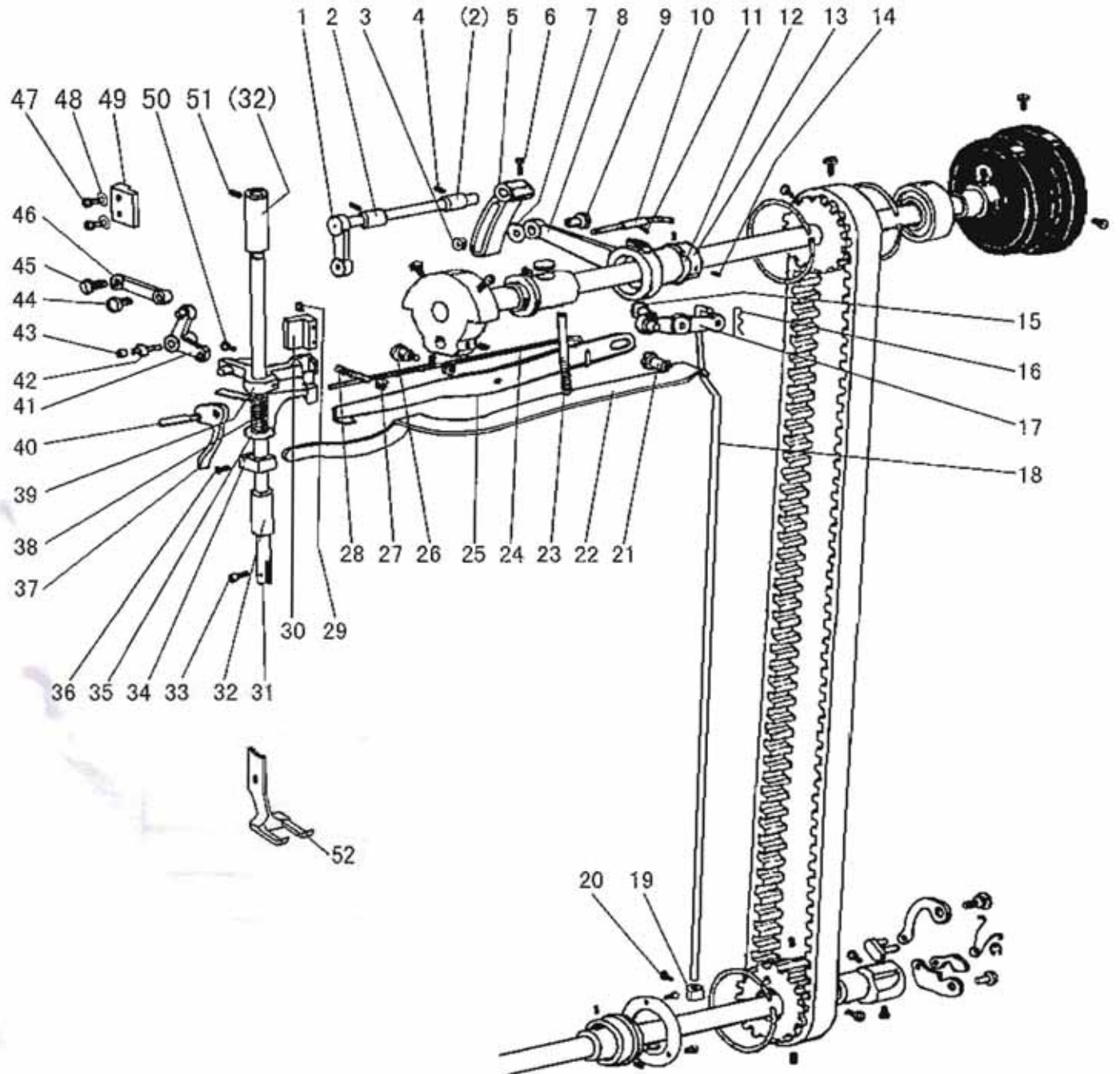
# C. UPPER SHAFT MECHANISM



**C: UPPER SHAFT MECHANISM**

No.	part No.	Description	Pcs.	Remarks
C1	HA307C0662	Screw	1	
C2	H4706D8001	Needle bar crank	1	
C3	HA105D0662	Screw	1	
C4	HA100C2060	Screw	1	
C5	HA100C2070	Screw	1	
C6	H4708D8001	Screw	1	
C7	H32111B104	Felt	1	
C8	H32111B204	Arm shaft bushing(left)	1	
C9	H4709D8001	Arm shaft	1	
C10	H3205C0661	Spring flange	3	
C11	HA113F0684	Screw	1	
C12	H3205C1021	Belt pulley(upper)	3	
C13	HA100F2130	Screw	1	
C14	H3205J0662	Bearing	1	
C15	H3205J0661	Ring	1	
C16	HA110D0672	Screw	2	
C17	H4100C2040	Pulley	1	
C18	H7104D8001	Cog belt	1	
C19	HA104F0654	Screw	1	
C20	H4713D8001	Link	1	
C21	H4714D8001	Pin	1	
C22	H4716D8001	spring	1	
C23	H007013025	E-type stop ring	1	
C24	H4717D8001	Link	1	
C25	H4718D8001	Pin	1	
C26	H4719D8001	Link	1	
C27	H4715D8001	Pin	1	
C28	H4720D8001	Shaft	1	
C29	H4721D8001	Screw	1	
C30	H4722D8001	Belt pulley(lower)	1	
C31	H4723D8001	Screw	2	

# D. PRESSER FOOT MECHANISM





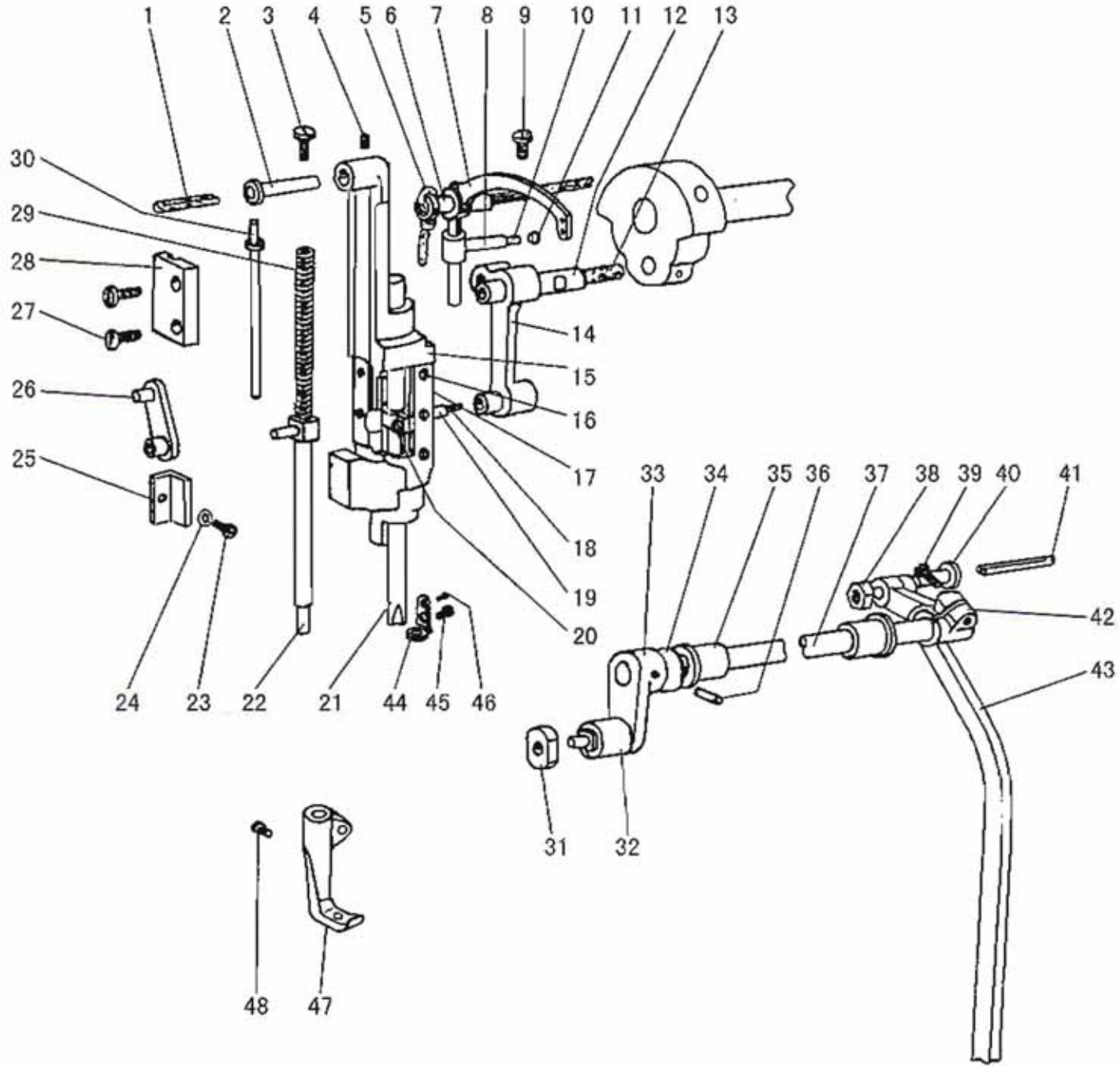
**D: PRESSER FOOT MECHANISM**

No.	part No.	Description	Pcs.	Remarks
D1	H4705E8001	Feed lifting rock shaft	1	
D2	H4707E8001	Bushing	2	
D3	H0030550608	Nut	1	
D4	H4706E8001	Screw	2	
D5	H4709E8001	Lever	1	
D6	H3115F0671	Screw	1	
D7	H2013J0065	Washer	1	
D8	H2014J0066	Bolt	1	
D9	H2000J2100	Screw	1	
D10	H4713E8001	Oil wick	1	
D11	H20111C106	Spring	1	
D12	H007009250	C-type stop ring	1	
D13	H4714E8001	Eccentric	1	
D14	HA307C0662	Screw	2	
D15	H4732E8001	Screw	1	
D16	H4739E8001	pin	1	
D17	H4734E7101	Link	1	
D18	H7104E8001	Link		
D19	H4741E8001	Collar	1	
D20	H4742E8001	Screw	1	
D21	H3100G2170	Screw	1	
D22	H4730E8001	spring	1	
D23	H4729E8001	Screw	1	
D24	H4727E8001	spring	1	
D25	H4728E8001	Lever	1	
D26	H3100G2130	Screw	1	
D27	H4726E8001	Nut	1	
D28	H4725E8001	Screw	1	
D29	HA111G0683	Screw	2	
D30	H4723E8001	Guide plate	1	
D31	H4754E8001	Presser bar	1	

**D: PRESSER FOOT MECHANISM**

No.	part No.	Description	Pcs.	Remarks
D32	H4744E8001	Bushing	2	
D33	H3200E2020	Screw	1	
D34	H4746E8001	Spring bracket	1	
D35	H4768E8001	Plate	1	
D36	H2404I0034	Screw	1	
D37	H4748E8001	Lifter lever	1	
D38	H4767E8001	spring	1	
D39	H4752E8001	Bracket	1	
D40	H4749E8001	Screw	1	
D41	H4715E8001	Link	1	
D42	H2004J0655	Support shaft	1	
D43	H4717E8001	Roller	1	
D44	H4718E8001	Screw	1	
D45	H2004J0662	Screw	1	
D46	H4719E8001	Link	1	
D47	HA100E2150	Screw	2	
D48	H4722E8001	Washer	2	
D49	H4721E8001	Guide	1	
D50	H4753E8001	Screw	1	
D51	H4708D8001	Screw	2	
D52	H7105E8001	outer presser foot	1	

# E. THRED TAKE-UP LEVER & NEEDLE BAR MECHANISM



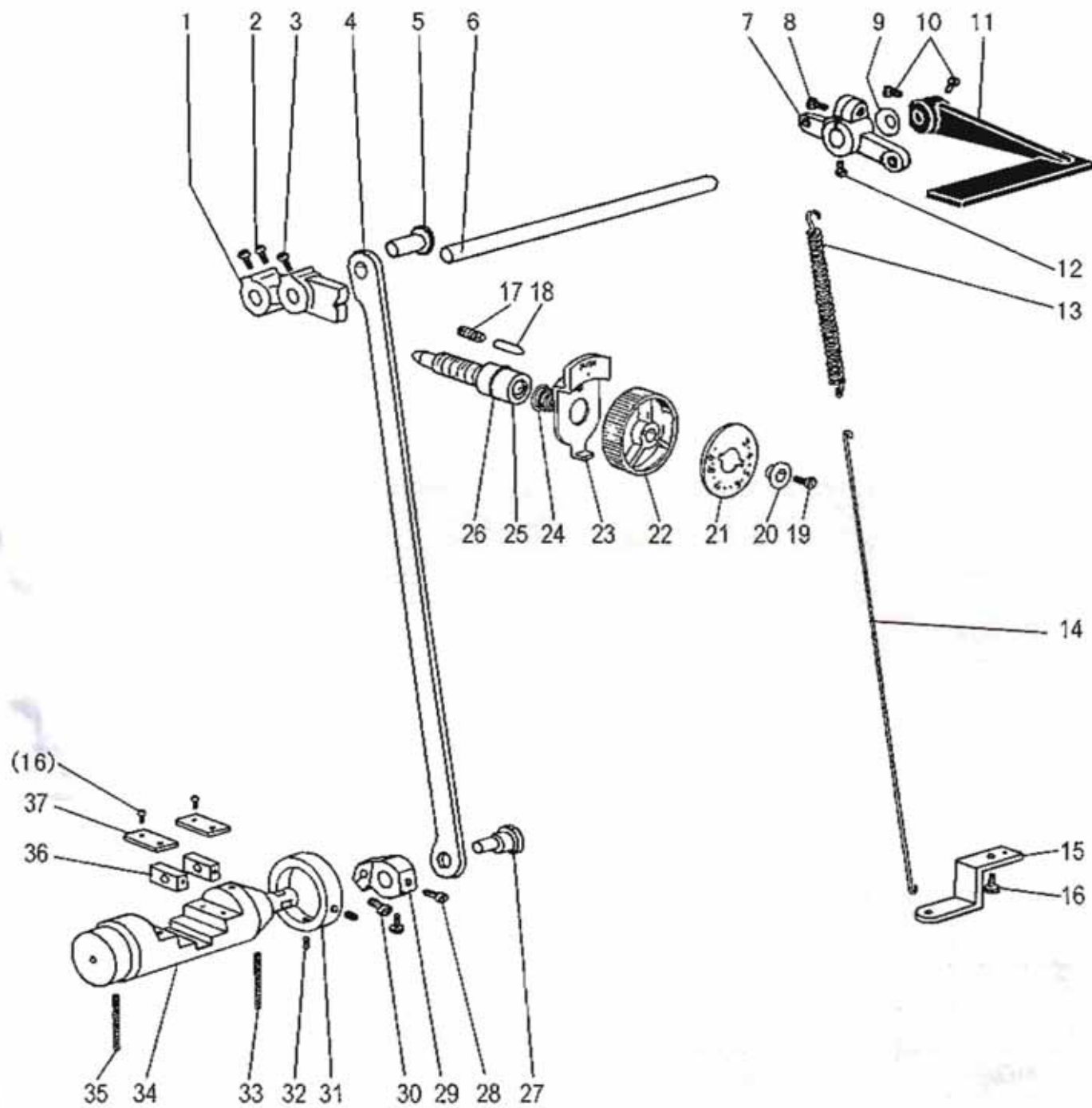
**E: THRED TAKE-UP LEVER & NEEDLE BAR MECHANISM**

No.	part No.	Description	Pcs.	Remarks
E1	H24211DN05	Oil wick	1	
E2	H4706F8001	Needle bar guide bracket stud	1	
E3	H4707F8001	Screw	1	
E4	HA100C2020	Screw	1	
E5	H24211DN05	Oil wick	1	
E6	H24211DM05	Thread take-up lever support st	1	
E7	H4712F8001	Thread take-up lever	1	
E8	H2405D1112	Slide bar	1	
E9	HA110D0672	Screw	1	
E10	H24211D405	Oil wick	1	
E11	H24211D305	Plup	1	
E12	H2405D0662	Needle bar crank pin	1	
E13	H4716F8001	Oil wick	1	
E14	H4717F8001	Connecting link	1	
E15	H4719F8001	Needle bar guide bracket	1	
E16	H32111D304	Screw	6	
E17	H4721F8001	Spacer	2	
E18	H3204D6513	Felt	1	
E19	H4722F8001	Needle bar holder	1	
E20	H32111D604	Screw	1	
E21	H4806F8001	Needle bar	1	
E22	H4725F8001	Inside presser foot	1	
E23	H3400C2020	Presser bar	1	
E24	H3200I2030	Washer	1	
E25	H3400C2010	Needle bar guide	1	
E26	H4726F8001	Lever	1	
E27	H4753E8001	Screw	2	
E28	H4728F8001	Guide	1	
E29	H4729F8001	Spring	1	
E30	H4730F8001	Vibrating presser spring guide	1	
E31	H3410C301P	Square block	1	

## E: THRED TAKE-UP LEVER & NEEDLE BAR MECHANISM

No.	part No.	Description	Pcs.	Remarks
E32	H3406C0671	Screw	1	
E33	H3406C0672	Needle bar vibrating crank(left)	1	
E34	H4734F8001	Collar	1	
E35	H3204B0652	Collar	2	
E36	H602040240	Taper	1	
E37	H4736F8001	Needle bar vibrating shaft	1	
E38	H7107F8001	Nut	1	
E39	H2012N0652	Screw	1	
E40	H7108F8001	Screw	1	
E41	H32311D406	Oil wick	1	
E42	H7104F8001	Needle bar vibrating crank(right)	1	
E43	H8605F8001	Link	1	
E44	H3129F0693	Thread guide	1	
E45	HA100C2170	Screw	1	
E46	H3129F0691	Screw	1	
E47	H7106F8001	Inside presser foot	1	
E48	HA700F2100	Screw	1	

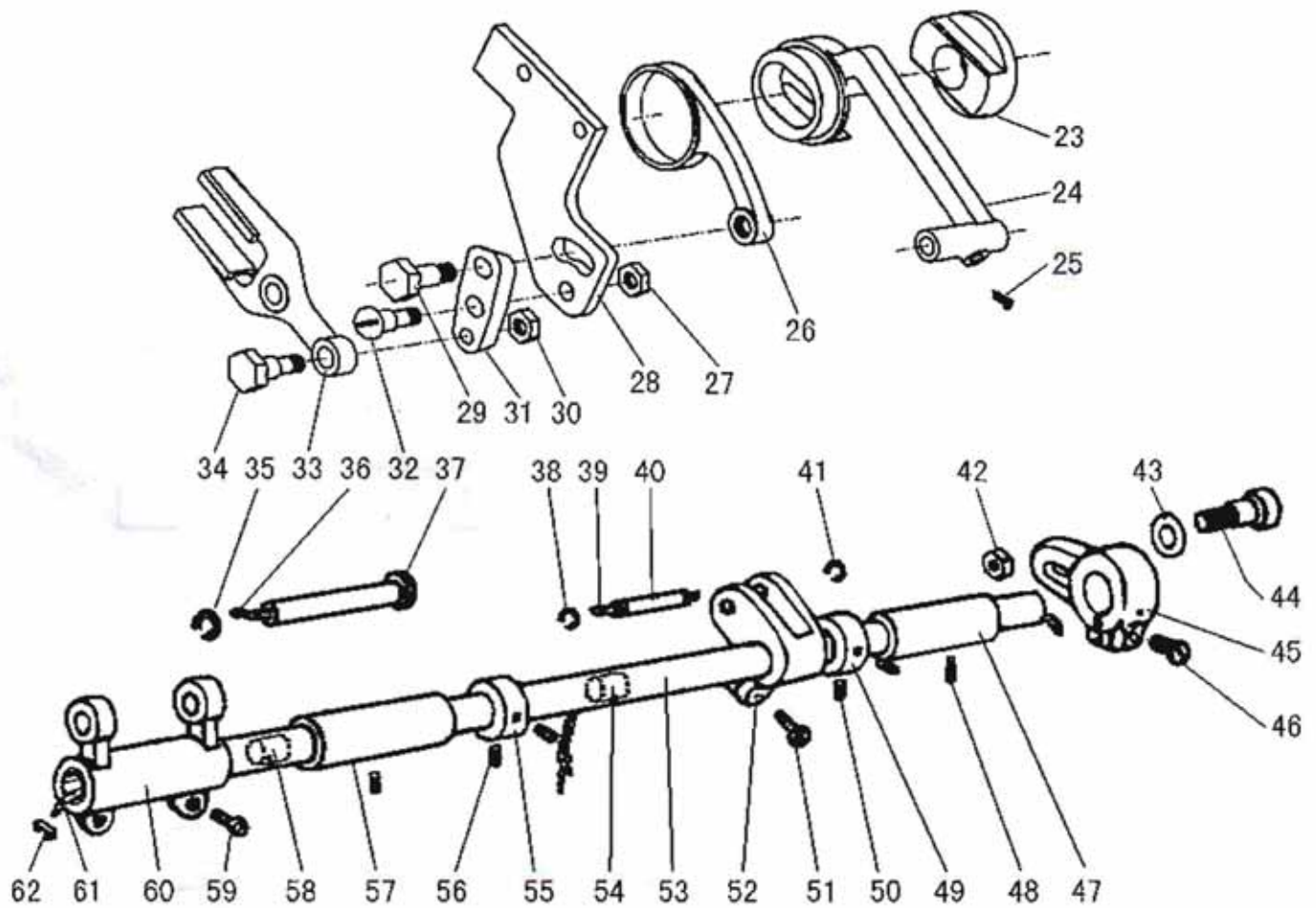
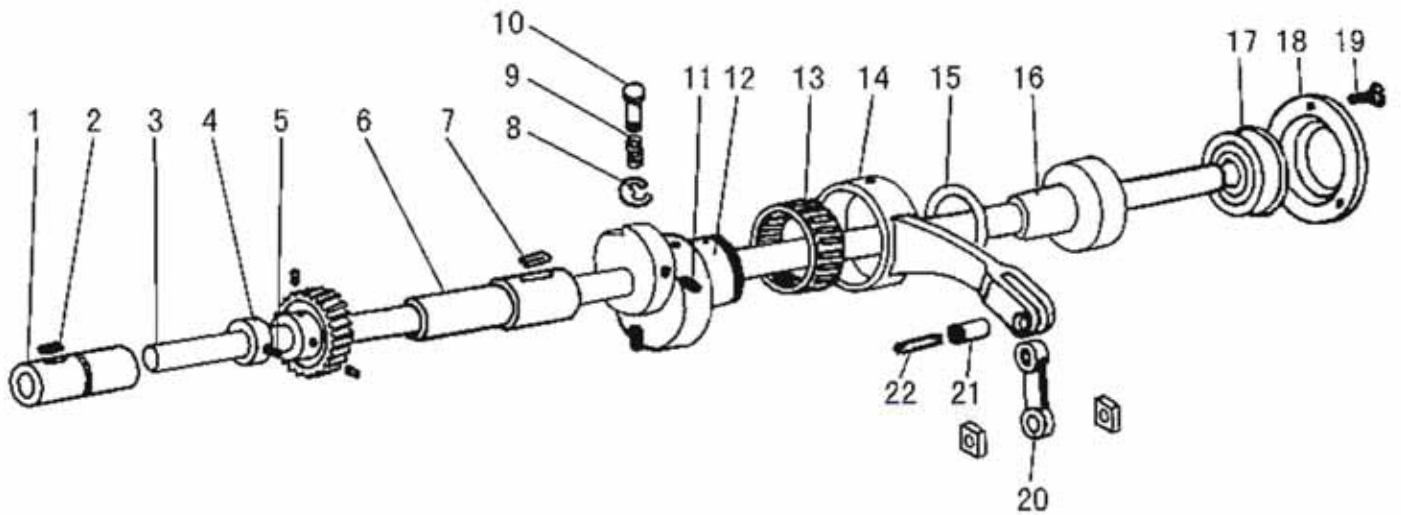
# F. STICH REGULATOR MECHANISM



**F: STICH REGULATOR MECHANISM**

No.	part No.	Description	Pcs.	Remarks
F1	H4706G8001	Feed regulator cam	1	
F2	HA113F0684	Screw	2	
F3	H3200F2020	Screw	1	
F4	H7104G8001	Link	1	
F5	HA100G2070	Eccentric shaft	1	
F6	H4709G8001	Reverse stitch shaft	1	
F7	H3207F0671	Crank	1	
F8	HA800F2020	Screw	1	
F9	HA100F2110	Washer	1	
F10	HA113F0684	Screw	2	
F11	H4711G8001	Lever	1	
F12	H3207F0672	Screw	1	
F13	H4710G8001	Spring	1	
F14	H7105G8001	Link	1	
F15	H3200F2050	spring bracket	1	
F16	HA300C2020	Screw	1	
F17	H3200F2110	Spring	1	
F18	HA700F2030	Pin	1	
F19	HA720F0686	Screw	1	
F20	HA720F0685	Bushing	1	
F21	H7107G8001	Stitch length indicating plate	1	
F22	HA7421F120	Dial	1	
F23	HA720F0683	Stopper pin releasing lever	1	
F24	HA720F0687	Coil spring	1	
F25	HA109F0671	Screw bar	1	
F26	HA109F0674	O-ring	1	
F27	H3206F0662	Pin	1	
F28	H415050060	Screw	1	
F29	H7109G8001	Reverse sewing crank	2	
F30	H428050200	Screw	1	
F31	H4716G8001	Collar	1	
F32	HA3411D308	Screw	2	
F33	H4719G8001	Felt	1	
F34	H4720G8001	Reverse block	1	
F35	H4721G8001	Felt	1	
F36	H4722G8001	Square block	2	
F37	H4723G8001	Guide plate	2	

# G. LOWER SHAFT & FEED ROCK SHAFT MECHANISM





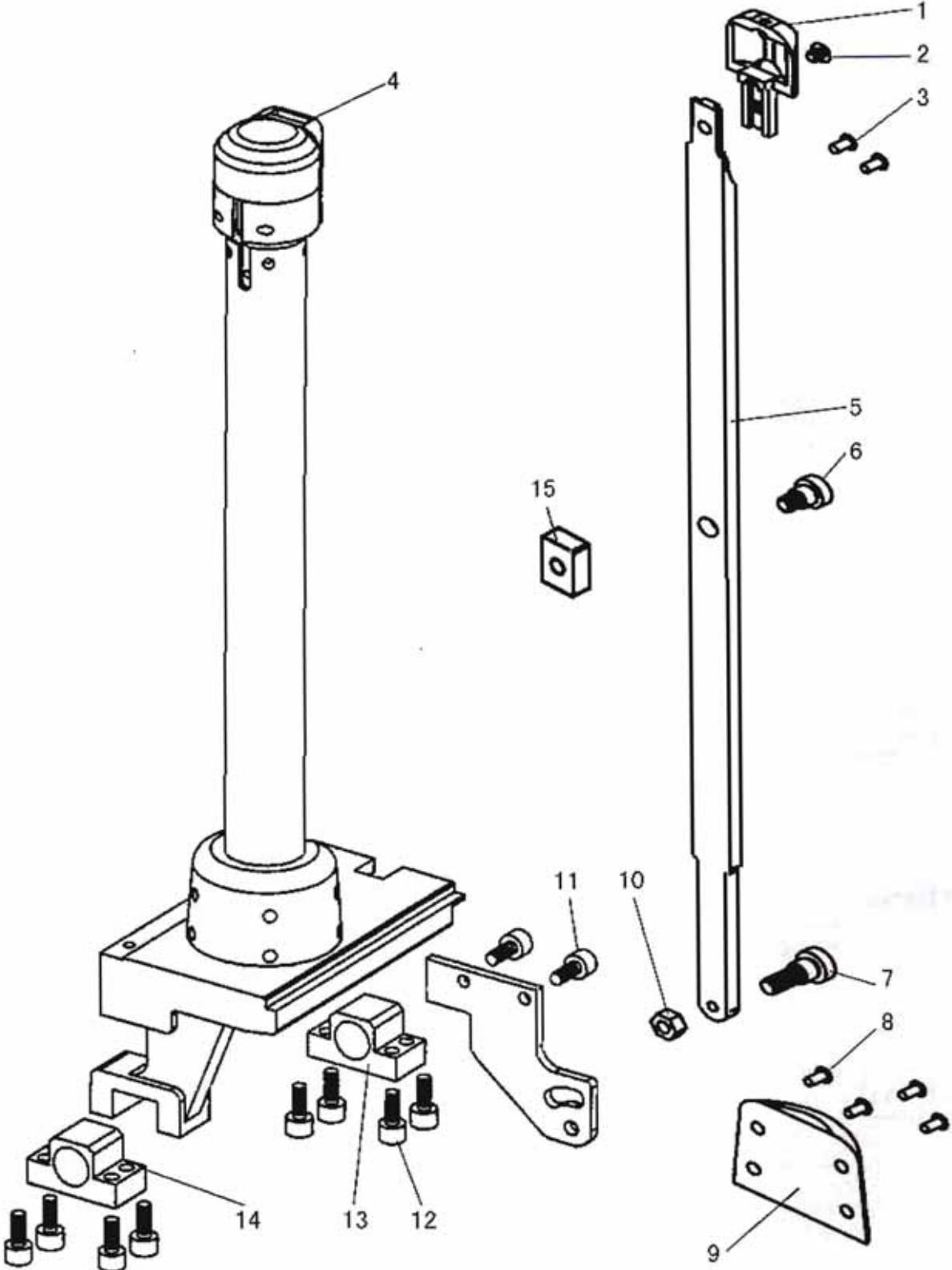
## G. LOWER SHAFT & FEED ROCK SHAFT MECHANISM

No.	part No.	Description	Pcs.	Remarks
G1	H4706H8001	Lower shaft bushing(left)	1	
G2	H4707H8001	Oil wick	1	
G3	H7107H8001	Lower shaft	1	
G4	H8615H8001	Feed eccentric cam	1	
G5	H3205H0654	Screw	1	
G6	H8618H8001	Lower shaft bushing(right)	1	
G7	H4713H8001	Oil wick	1	
G8	H007013050	Stop ring	2	
G9	H4714H8001	Spring	1	
G10	H4715H8001	Push button	1	
G11	H2405D0664	Screw	2	
G12	H4717H8001	Feed eccentric	1	
G13	H4719H8001	Needle bearing	1	
G14	H4718H8001	Feed connecting rod	1	
G15	H007009260	C-type stop ring	1	
G16	H4722H7101	Lower shaft bushing complete	1	
G17	H4726H8001	Ball bearing	1	
G18	H4727H8001	Bearing holder	1	
G19	HA7311C306	Screw	3	
G20	H4737H8001	link	1	
G21	H4721H8001	pin	1	
G22	H4720H8001	Oil wick	1	
G23	H8610H8001	guide bracket	1	
G24	H8609H8001	link	1	
G25	H429050050	Screw	1	
G26	H8608H8001	Link	1	
G27	H0030550608	nut	1	
G28	H8605I8001	support plate	1	
G29	H8613H8001	Screw	1	
G30	H4940L8001	nut	1	
G31	H8614H8001	Crank	1	

**G. LOWER SHAFT & FEED ROCK SHAFT MECHANISM**

No.	part No.	Description	Pcs.	Remarks
G32	H8619H8001	Screw	1	
G33	H8606H8001	bracket	1	
G34	H8620H8001	Screw	1	
G35	H007009070	Collar	1	
G36	H3205G0662	Oil wick	1	
G37	H32243G205	Feed bar shaft	1	
G38	H007013050	Collar	1	
G39	H4739H8001	Oil wick	1	
G40	H4738H8001	pin	1	
G41	H007013050	Collar	1	
G42	H0030550608	nut	1	
G43	H4728H8001	washer	1	
G44	H4729H8001	Screw	1	
G45	H7105H8001	Feed connection crank(right)	1	
G46	H2012N0652	Screw	1	
G47	HA100G2120	Feed connection crank(left)	1	
G48	H4708D8001	Screw	2	
G49	HA108G0661	Collar	1	
G50	HA105D0662	Screw	2	
G51	H2012N0652	Screw	1	
G52	H4736H8001	Feed connection crank(middle)	1	
G53	H3204G0651	Feed rock shaft	1	
G54	H4740H8001	Felt	1	
G55	HA108G0661	Collar	1	
G56	HA105D0662	Screw	2	
G57	HA100G2120	Feed rock shaft bushing	1	
G58	H4740H8001	felt	1	
G59	HA104G1012	Screw	2	
G60	H3205G1032	Feed connection crank	1	
G61	H3204G0031	Oil wick	1	
G62	H3200G2030	Clip	1	

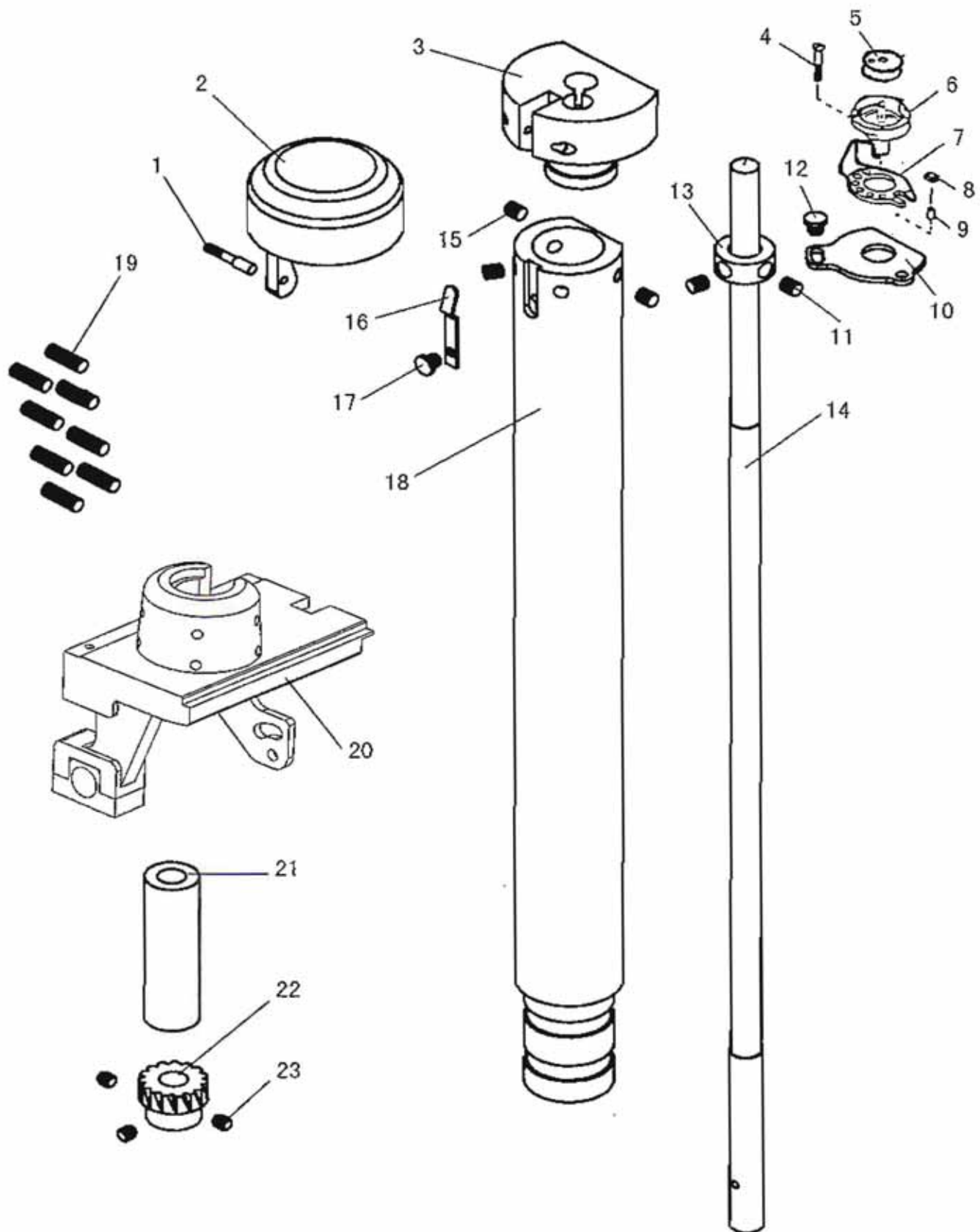
# H. FEED BAR MECHANISM



## H. FEED BAR MECHANISM

No.	part No.	Description	Pcs.	Remarks
H1	H7107I8002	Feed dog	1	
H2	H7108I8001	Screw	1	
H3	HA100C2190	Screw	2	
H4	H7118B8002	Needle plate	1	
H5	H8604I8001	Feed bar	1	
H6	H7106I8001	Screw	1	
H7	H8607H8001	Screw	1	
H8	HA300B2160	Screw	4	
H9	H7109I8001	Cover	1	
H10	H3208G0675	Nut	1	
H11	H415060160	Screw	1	
H12	H415060200	Screw	8	
H13	H8616H8001	Bracket(right)	1	
H14	H8605H8001	Bracket(left)	1	
H15	H7105I8001	Slide block	1	

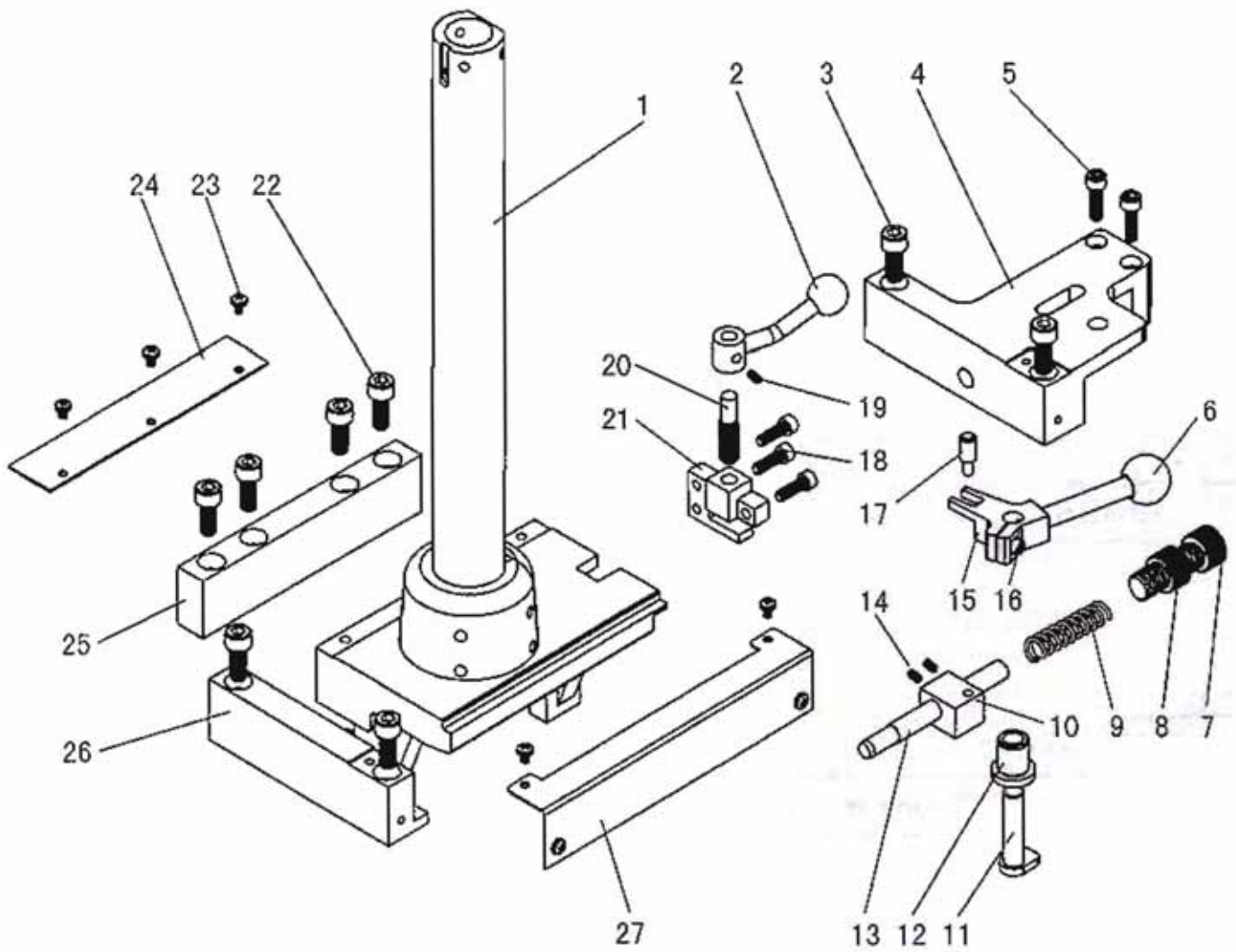
# I. HOOK SADDLE MECHANISM



## I. HOOK SADDLE MECHANISM

No.	part No.	Description	Pcs.	Remarks
I1	H7124J8001	Screw	1	
I2	H7123J8001	Hook cover	1	
I3	H7109J8001	Hook saddle	1	
I4	H5337D8001	Screw	3	
I5	H2400I2020	Bobbin	1	
I6	H4114D0069	Hook complete	1	
I7	H7125J8001	Opener	1	
I8	H41622D216	Slide block	4	
I9	H410270D16	Pin	1	
I10	H7115J8001	Plate	1	
I11	HA105D0662	Screw	1	
I12	H2204C0651	Screw	1	
I13	H7106J8001	Collar	1	
I14	H7104J8002	Hook shaft	1	
I15	H3210F0681	Screw	1	
I16	H7122J8001	Spring	1	
I17	H3204D6511	Screw	1	
I18	H7113J8001	Hook saddle post	1	
I19	H2000H2020	Screw	8	
I20	H8605J8001	Bracket	1	
I21	H7121J8001	Bushing	1	
I22	H4705I8001	Hook driving gear(small)	1	
I23	HA105D0662	Screw	1	

# J. HOOK SADDLE SLANTING MECHANISM

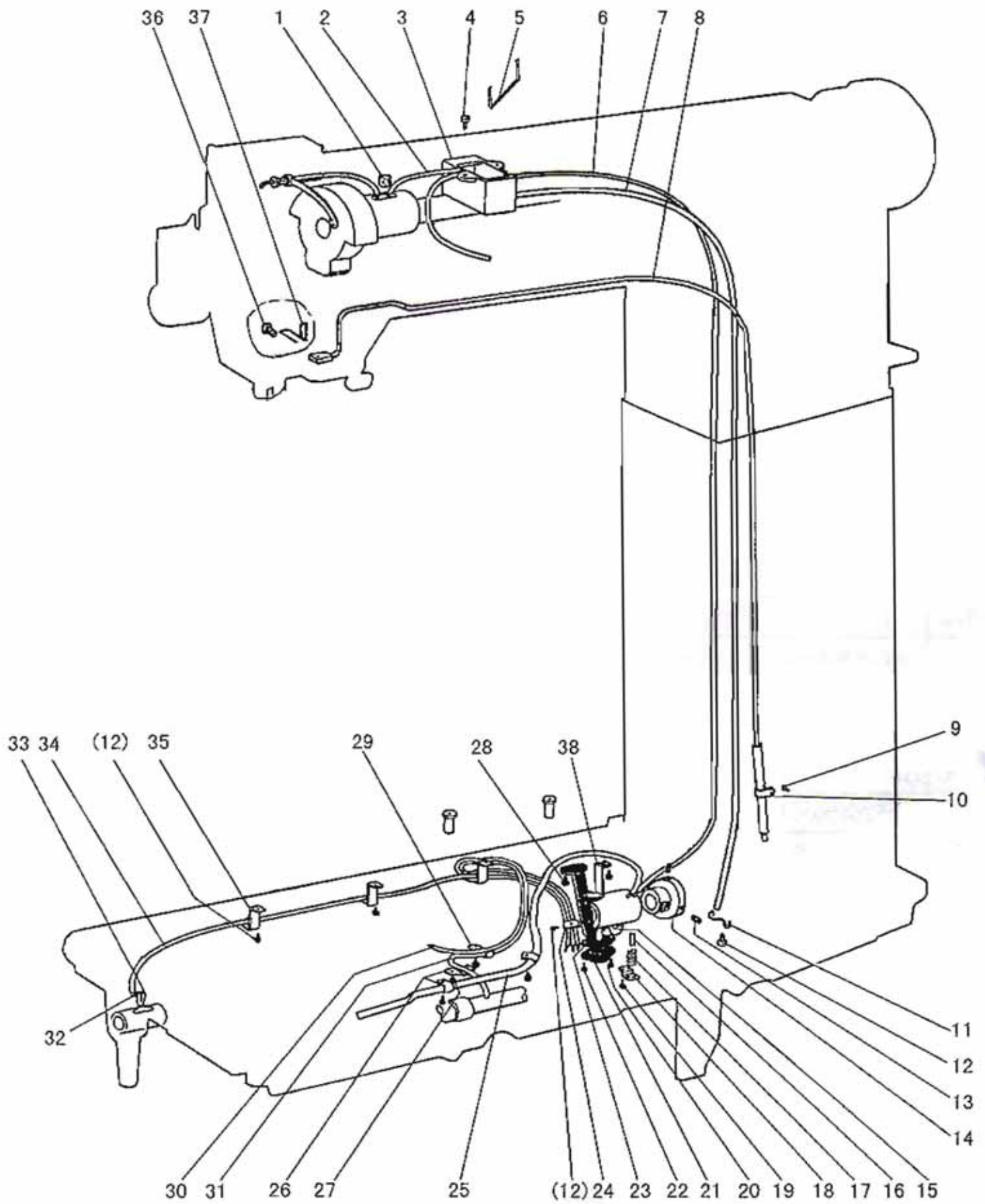


## J. HOOK SADDLE SLANTING MECHANISM

No.	part No.	Description	Pcs.	Remarks
J1	H7113J8001	Hook saddle post	1	
J2	H8628K8001	spanner	1	
J3	H415080350	Screw	4	
J4	H8629K8001	position bracket(right)	1	
J5	H415060400	Screw	2	
J6	HF01080250	Ball	1	
J7	H8623K8001	Screw	1	
J8	H8622K8001	nut	1	
J9	H8621K8001	spring	1	
J10	H8619K8001	connection block	1	
J11	H8616K8001	shaft	1	
J12	H8617K8001	bushing	1	
J13	H8618K8001	pin	1	
J14	H429050050	Screw	2	
J15	H8624K8001	spanner bracket	1	
J16	H4753E8001	Screw	1	
J17	H8620K8001	connection pin	1	
J18	H415050100	Screw	2	
J19	H429050050	Screw		
J20	H8627K8001	pin	1	
J21	H8626K8001	position bracket	1	
J22	H415080350	Screw	4	
J23	HA300B2170	Screw	7	
J24	H8632K8001	cover(back)	1	
J25	H8630K8001	position bracket(back)	1	
J26	H8631K8001	position bracket(left)	1	
J27	H8633K8001	cover(front)	1	



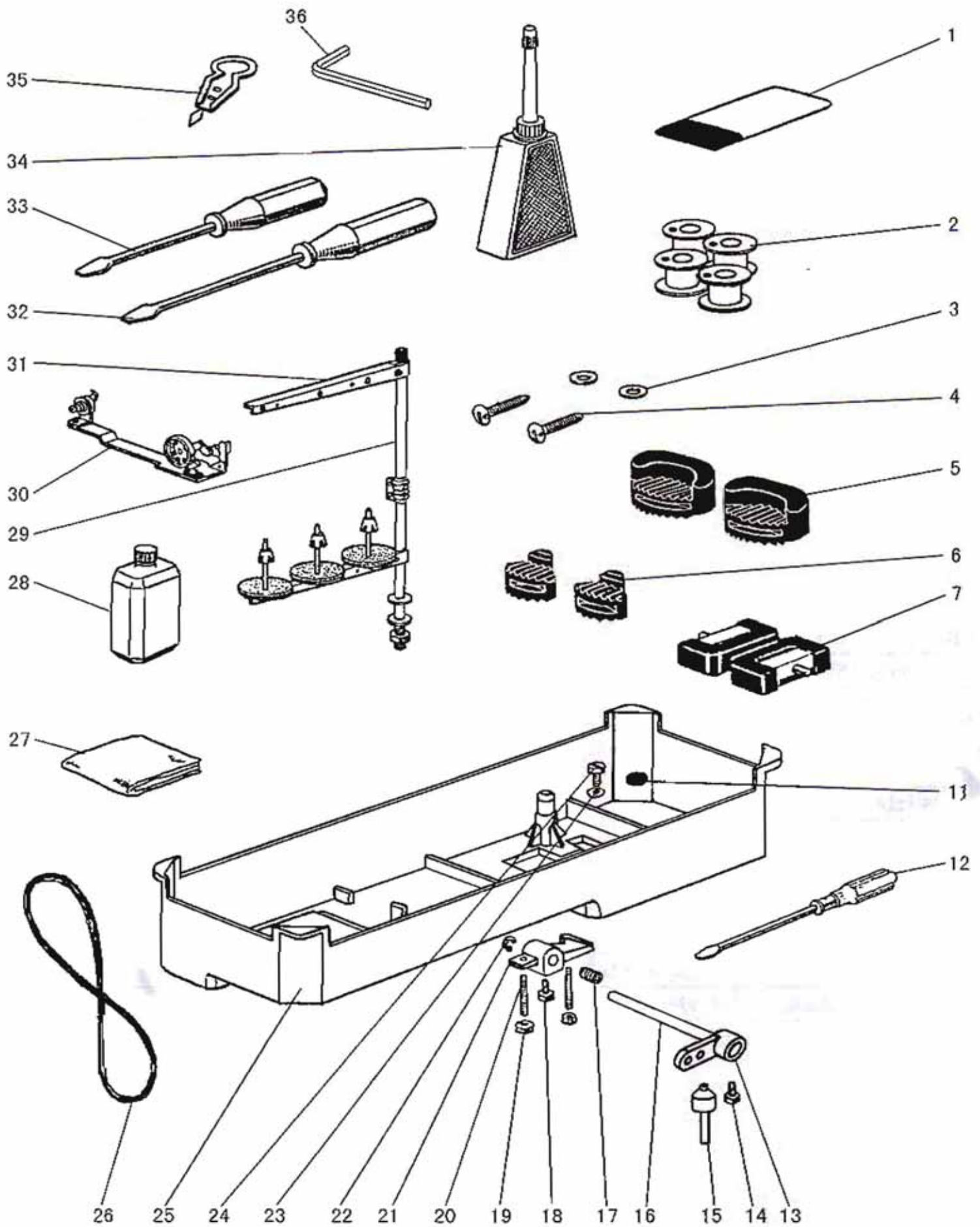
# K. OIL LUBRICATION MECHANISM



## K. OIL LUBRICATION MECHANISM

No.	part No.	Description	Pcs.	Remarks
K1	H32175B304	Felt	1	
K2	H4705J7101	Oil pipe complete	1	
K3	H3204K0011	Oil reservoir complete	1	
K4	H411040160	Screw	2	
K5	H4707J8001	Holder	1	
K6	H7109K8001	Oil pipe $\Phi 3 \times 1 \times 850$	1	
K7	H7110K8001	Oil pipe $\Phi 5 \times 1 \times 810$	1	
K8	H7111K7101	Oil pipe complete	1	
K9	HA7311CC06	Screw	1	
K10	HA100I2050	Spring washer	1	
K11	H2000M0110	Holder	1	
K12	HA106B0676	Holder	1	
K13	H3230K0751	Screw	8	
K14	H4716J8001	Bushing	2	
K15	H3215K0696	Oil pipe	1	
K16	H1100I2070	Pin	1	
K17	H1100I2090	Spring	1	
K18	H1100I2110	Spring holder	1	
K19	H3204D6510	Screw	1	
K20	H3215K0693	Screw	1	
K21	H3215K0692	Filter	1	
K22	H3215K0694	Screw	1	
K23	H4718J7101	Mounting plate complete	4	
K24	H4720J8001	Holder	1	
K25	H3216K0702	Oil pipe	1	
K26	H2000M0110	Holder	1	
K27	HA106B0676	Screw	3	
K28	HA100E2150	Screw	1	
K29	H4805J8001	Oil pipe $\Phi 3 \times 1 \times 370$	1	
K30	H4731J8001	Holder	1	
K31	H4728J7101	Oil pipe complete	1	
K32	H3216K0070	Oil pipe complete	1	
K33	H3216K0701	Oil wick	1	
K34	H3200K0180	Oil wick	1	
K35	H4726J8001	Oil pipe	1	
K36	H3200K0160	Holder	1	
K37	HA100C2040	Screw	1	
K38	H4722J8001	support plate	1	

# L. ACCESSORIES



## L. ACCESSORIES

No.	part No.	Description	Pcs.	Remarks
L1	H4705K8001	needle DP×17-22	3	
L2	H2400I2020	Bobbin	2	
L3	HA300J2230	Washer	4	
L4	H801045200	Screw	4	
L5	H3200L0020	Vibration preventing rubber	2	
L6	H3200L0030	Vibration preventing rubber	2	
L7	HA110J0070	Hinge complete	2	
L11	HA100J2120	Magnet block for reservoir	1	
L12	HA300J2070	Screw driver(middle)	1	
L13	H7122L8001	crank	1	
L14	HA300J2180	Screw	1	
L15	H3214L2011	support stud complete	1	
L16	H3213L0662	shaft	1	
L17	HA104J0657	spring	1	
L18	HA106J0664	Screw	1	
L19	HA104J6510	nut	2	
L20	HA104J0659	Screw	2	
L21	H3213L0664	Knee lifter crank	1	
L22	H007013090	E-type stop ring	1	
L23	HA104J0653	Washer	1	
L24	HA104J0652	Screw	1	
L25	H3213L0661	Oil reservoir	1	
L26	GB/T 11544 M7	V-belt M75	1	
L27	H7114L8001	Vinyl cover	1	
L28	H3200L0130	Oil can	1	
L29	H7112L8001	pipe	1	
L30	HA706S0067	Bobbin winder	1	
L31	H3200L0120	Cotton stand	1	
L32	HA100J2140	Screw driver(middle)	1	
L33	HA100J2150	Screw driver(small)	1	
L34	HA100J2110	Oiler	1	
L35	H3207L0065	Thread a needle kit	1	
L36	HB00001025	Socket wrench	1	