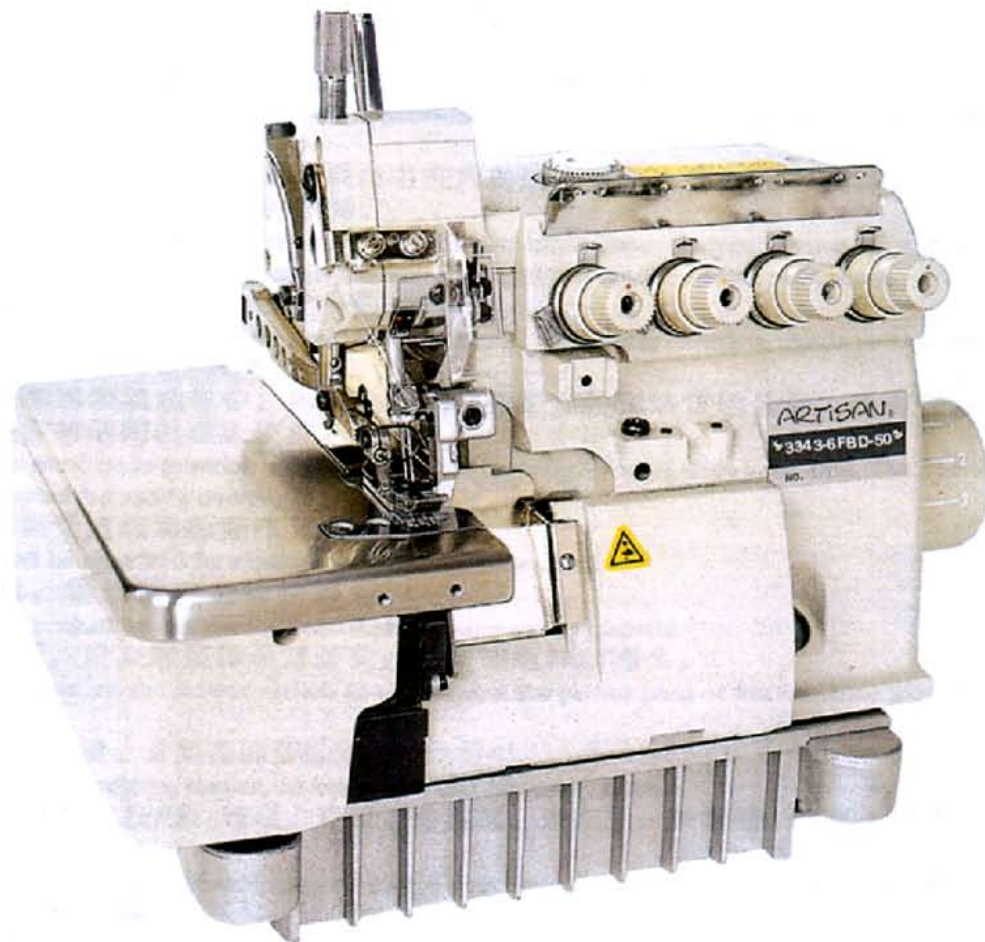


ARTISAN®



MODEL **3343**

Serger and Sew Overlock Sewing Machine

**Operators Manual
and
Spare Parts List**

目 录

Contents

1	机壳部件	1
	FRAME & MISCELLANEOUS COVER COMPONENTS	
2	主轴部件	3
	CRANKSHAFT COMPONENTS	
3	机针部件	5
	NEEDLE DRIVING SHAFT COMPONENTS	
4	压脚部件 (1)	7
	PRESSER FOOT COMPONENTS (1)	
5	压脚部件 (2)	9
	PRESSER FOOT COMPONENTS (2)	
6	送料部件 (1)	11
	FEED MECHANISM COMPONENTS (1)	
7	送料部件 (2)	13
	FEED MECHANISM COMPONENTS (2)	
8	链线部件 (GN880-5 用)	15
	CHAIN LOOPER COMPONENTS (FOR GN880-5)	
9	弯针部件	17
	UPPER & LOWER LOOPER COMPONENTS	
10	过线部件	19
	THREAD TENSION COMPONENTS	
11	油泵部件	21
	LUBRICATION MECHANISM COMPONENTS	
12	上刀部件	23
	KNIFE COMPONENTS	
13	机架台板部件 (桌上式)	25
	SEMI-SUNKEN TYPE TABLE COMPONENTS	
14	机架台板部件 (全沉式)	27
	FULLY-SUNKEN TYPE TABLE COMPONENTS	
15	线架部件	29
	THREAD STAND COMPONENTS	
16	机针冷却部件	31
	NEEDLE COOLER COMPONENTS	
17	附件	32
	ACCESSORIE PART COMPONENTS	

序号	件号	零件名称	DESCRIPTION	数量	
REF.NO.	NOTE	PART NO.		Qty	
0		8000008	机壳	MISCELLANEOVS COVER COMPONENTS	1
1		8000107	侧盖	SIDE COVER	1
2		8000206	侧盖垫	SIDE COVER GASKET	1
3		8000305	上盖	UPPER COVER	1
4		8000404	上盖垫	UPPER COVER GASKET	1
5		8000503	注油盖	OIL SIGHT WINDOW	1
6		8000602	送料牙架盖	FEED MECHANISM COVER	1
7		8000701	送料牙架盖垫	GASKET	1
8		8000800	弯针罩座	LOOPER COVER BRACKET	1
9		8000909	弯针罩	LOOPER COVER	1
10		8001006	弯针罩开闭限位挡板	LOOPER COVER STOPPER	1
11		8001105	弯针罩导板	GUIDE PLATE	1
12		8001204	弯针罩压板	PRESSER PLATE	1
13		8001303	弯针罩压簧	PRESSER SPRING	1
14		8001402	弯针罩铰链轴	NINGE PIN	1
15		8001501	弯针罩簧	LOOPER COVER SPRING	1
16		8001600	挡屑罩限位挡板	CLOTH WASTE COVER STOPPER	1
17		8001717	缝台横盖	CLOTH PLATE SID COVER	1
18	02	8083004	排屑罩 (3/4 线)	CLOTH WASTE COVER	1
19		8002764	缝台组件	CLOTH PLATE COMPL.	1
20		8002806	缝台偏心套	ECCENTRIC BUSHING	1
21		8002905	缝台开闭弹簧	CLOTH PLATE SPRING	1
22	01	8083202	排屑罩 (5 线)	CLOTH WASTE COVER	1
23		8003259	缝台罩组件	CLOTH PLATE COVER COMPL.	1
24		8009009	送料调节孔盖	COVER	1
25		8009108	送料调节孔盖垫	GASKET	1
26		8002004	缝台防震垫	RUBBER CUSHION	2
27		8003309	排屑罩 (左)	CLOTH WASTE COVER,LEFT	1
28		8003507	护目罩支架	EYE GUARD COVER BASE	1
29		8003705	护目罩	EYE GUARD COVER	1
30		8003804	护目罩支架挡圈	EYE GUARD COVER BASE COLLAR	1
31		8003903	护目罩支架套圈	EYE GUARD COVER BASE BUSHING	1
32		8004000	机头双头螺栓	BOLT	4
33		8004109	油盘	OIL RESERVOIR	1
34		8004208	油盘衬垫	OIL RESERVOIR GASKET	1
35		8004307	带轮罩	BELT COVER	1
36		8008407	带轮罩 (B)	BELT COVER B	1
37		8004406	针板支架	THROAT PLATE RETAINER	1
38		8004505	弯针过线管	THREAD GUIDE,LARGE	2
39	03	8005403	三线穿线图	THREADING DIAGRAM	1
40	04	8005502	四线穿线图	THREADING DIAGRAM	1
41	01	8005601	五线穿线图 A	THREADING DIAGRAM	1
42	01	8005700	五线穿线图 B	THREADING DIAGRAM	1
43		8008506	安全标贴 3	SAFETY LABEL,3(SMALL).	1
44		8008605	电器接地标贴	GROUND MARK	1
45		8008704	手指安全标贴	ATTENTION SEAL	1
46		SM-4041055-SP	侧盖螺钉	SCREW	6
47		8107107	侧盖橡胶塞	BUSHING D PLUG	1
48		8119508	上盖螺钉	SCREW	8
49		SM-4040855-SP	牙架盖螺钉	SCREW	5
50		SM-1040801-SP	牙架盖螺钉 M4X0.7 L=8	SCREW M4X0.7 L=8	1
51		8106802	缝台防震橡胶垫 B	CLOTH PLATE RUBBER CUSHION B	1
52	*	SM-4041055-SP	弯针罩螺钉	SCREW	3
53		SM-8040412-TP	弯针罩铰链轴螺钉 M4 L=4	SET SCREW M4 L=4	1
54		SM-4040655-SP	弯针罩导板螺钉 M4 L=6	SCREW M4 L=6	1
55		8118005	弯针罩压板螺钉	SCREW	1
56		SM-4040655-SP	弯针罩压簧螺钉 M4 L=6	SCREW M4 L=6	1
57		SM-4040655-SP	排屑罩螺钉 M4 L=6	SCREW M4 L=6	2
58		SS-2090520-SL	排屑罩限位挡块螺钉 9/64-40 L=5	SCREW 9/64-40 L=5	1
59		NS-6090310-SN	排屑罩限位挡块螺母 9/64-40	NUT 9/64-40	1
60		SM-4040655-SP	缝台横盖螺钉 M4 L=6	SCREW M4 L=6	2
61		8100003	缝台铰链轴套圈	CLOTH PLATE HINGE SHAFT COLLAR	1
62		SM-8030312-TP	缝台铰链轴套圈紧固螺钉 M3 L=3	SCREW M3 L=3	1
63		WZ-0420350-KP	缝台铰链轴碟型弹簧	DISC SPRING	2
64		SM-8040612-TP	缝台偏心套紧固螺钉 M4 L=6	SCREW M4 L=6	1
65		SM-6040800-SP	缝台开闭弹簧紧固螺钉	SCREW	2
66		WP-0430800-SD	缝台开闭弹簧垫圈 M4	WASHER M4	2
67		SM-4040655-SP	缝台罩紧固螺钉 M4 L=6	SCREW M4 L=6	3
68		WP-0430800-SD	缝台罩垫圈 M4	WASHER M4	3
69		SM-4040655-SP	排屑罩 (左) 紧固螺钉 M4 L=6	SCREW M4 L=6	2
70		8115308	护目罩支架螺钉	SCREW	1
71		WZ-0850302-KO	护目罩支架波型弹簧垫圈 8.5X12.5X0.3	WAVED WASHER 8.5X12.5X0.3	1
72		SM-6030500-SN	护目罩螺钉 M3 L=5	SCREW M3 L=5	2
73	*	8111505	护目罩支架小垫圈	WASHER	1
74		8109103	油盘盖形紧固螺母	NUT	4
75		8111208	油盘铝垫圈	WASHER	4
76		8114103	油盘螺栓	SCREW	1
77	*	RO-1082401-OO	排油螺栓 O 形密封圈	RUBBER RING	1
78		SM-4051655-SP	带轮罩紧固螺钉 M5 L=16	SCREW M5 L=16	2
79		8126008	皮带防护罩紧固螺钉	SCREW	2
80		8124102	针板支架紧固螺钉	SCREW	2
81		WP-0320501-SD	针板支架垫圈	WASHER	2
82		SM-8040412-TP	针板支架调节螺钉 M4 L=4	SET SCREW M4 L=4	2
83		SM-4040855-SP	主送料调节盖螺钉	SCREW	6
84		8107008	牙架支承轴孔油塞	RUBBER PLUG	1
85	02	8107206	链线弯针轴孔油塞	RUBBER PLUG	1
86		8107107	牙架支承轴紧固螺钉孔油塞	BUSHING D PLUG	1
87	02	8107008	链线弯针轴油塞	RUBBER PLUG	1
88		SM-4061255-SP	附属装置螺钉 M6 L=12	SCREW M6 L=12	1
89	*	RO-2182401-OO	注油盖 O 形密封圈	RUBBER RING	1
90		WP-0430800-SD	弯针罩垫圈 M4	WASHER M4	3
91	*	8115209	侧盖螺钉	SCREW	3

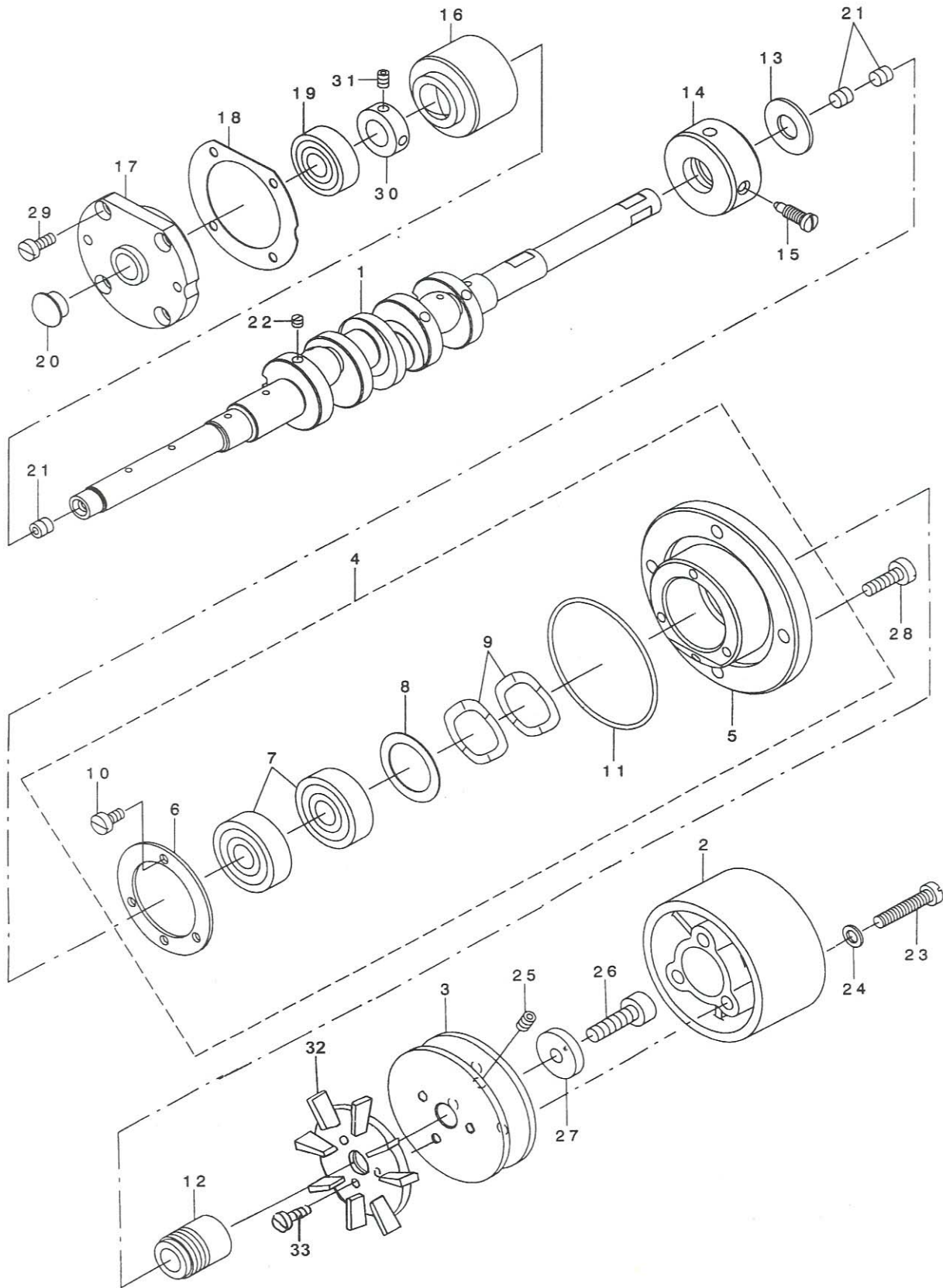
NOTE

01....GN880-5 用
02....GN880-3 用, 880-4 用
03....GN880-3 用
04....GN880-4 用

01....FOR 880-5
02....FOR 880-3, 880-4
03....FOR 880-3
04....FOR 880-4

2. 主轴部件

2. CRANKSHAFT COMPONENTS

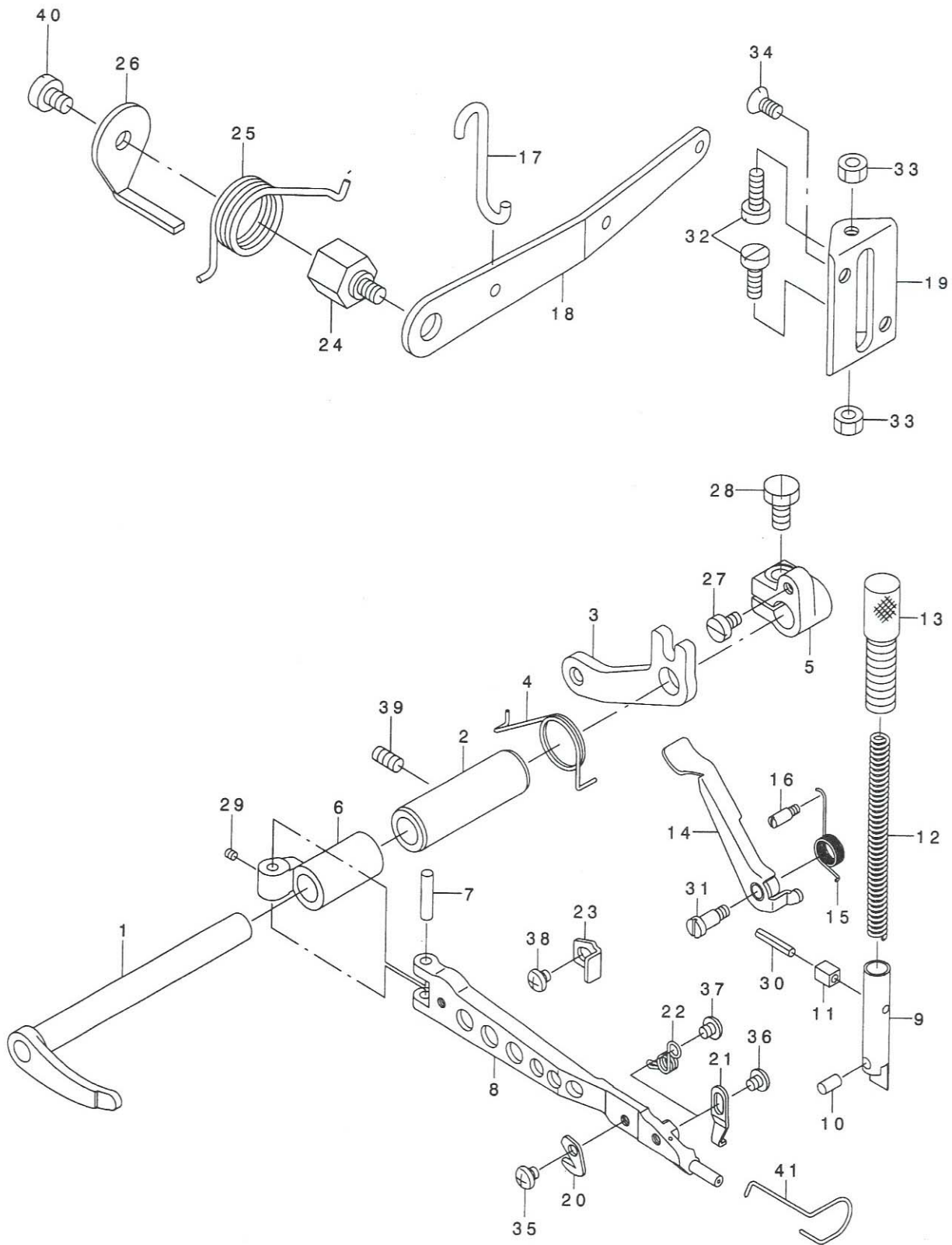


序号 REF.NO	NOTE	件号 PART NO.	零件名称	DESCRIPTION	数量 Qty
1	*	8010015	主轴	CRANKSHAFT	1
2		8010106	手轮 (B)	HAND WHEEL B	1
3		8010205	带轮 (A)	HAND WHEEL A	1
4		8010353	主轴右轴承座组件	CRANKSHAFT THRUST COLLAR ASM.	1
5		8010304	主轴右轴承座	CRANKSHAFT THRUST COLLAR	(1)
6		8010403	主轴右轴承座 (A) 盖	BEARING SUPPORT PLATE	(1)
7		8104104	主轴右端向心球轴承 (18200)	CRANKSHAFT BEARING	(2)
8		8010502	轴承垫圈	BEARING RECEIVIG PLATE	(1)
9		8112909	波形弹性垫圈	WASHER	(2)
10		SM-6040800-SP	主轴右轴承座 (A) 盖螺钉	SCREW	(3)
11	*	RO-493501-OO	主轴右轴承座 O 形密封圈	RUBBER RING	(1)
12		8010601	主轴挡油圈	OIL SHIELD	1
13		8010700	轴承小挡圈	BEARING RETAINER	1
14		8010809	主轴右轴套 (B)	CRANKSHAFT BUSHING B	1
15		8010908	主轴右轴套 (B) 定位螺钉	SCREW	1
16	*	8011112	主轴左轴套 (C)	CRANKSHAFT BUSHING C	1
17		8011203	主轴左轴承座	CRANKSHAFT BUSHING D	1
18		8011302	主轴左轴承座密封垫	BUSHING D GASKET	1
19		8104005	主轴左端向心球轴承 (180100)	BUSHING D BEARING	1
20	01	8107107	主轴左轴承座 (D) 橡胶塞	BUSHING D PLUG	1
21		SM-8060612-TP	主轴油孔封油螺钉 A M6 L=6	SCREW M6 L=6	3
22		SM-8040310-SS	主轴油孔封油螺钉 B M4 L=3	SCREW M4 L=3	4
23		8119706	手轮 (B) 螺钉	SCREW	3
24		8110606	手轮 (B) 垫圈	WASHER	3
25		SM-8061212-TP	带轮 (A) 定位螺钉 M6 L=12	SCREW M6 L=12	2
26		SM-6061602-TP	带轮 (A) 紧固螺钉 M6 L=16	SCREW M6 L=16	1
27		8111000	带轮 (A) 垫圈	WASHER	1
28		SM-6051600-SP	主轴右轴承座 (A) 螺钉 M5 L=16	SCREW M5 L=16	4
29		SM-6041000-SP	主轴左轴套 (C) 紧定螺钉 M4 L=10	SCREW M4 L=10	4
30	01	8100300	链线偏心供油孔挡圈	SLIDE BLOCK COLLAR	1
31	01	SM-8040412-TP	链线偏心供油孔挡圈紧定螺钉 M4 L=4	SET SCREW M4 L=4	2
32		8011500	冷却风叶	LEAF WIND	1
33		8121207	冷却风叶螺钉	SCREW	3
		NOTE	01....GN880-3, 880-4用	01....GN880-3, 880-4	

序号 REF_NO	件号 NOTE	零件名称 PART_NO.	DESCRIPTION	数量 Qty	
1		8012508	针杆连杆	NEEDLE DRIVING ROD	1
2		8012607	针杆摇杆	NEEDLE DRIVING FORKED CRANK	1
3		8012805	针杆驱动轴	NEEDLE DRIVING SHAFT	1
4		8012904	针杆驱动轴前轴套	BUSHING, FRONT	1
5		8013001	针杆驱动轴后轴套	BUSHING, REAR	1
6		8013209	针杆曲柄	NEEDLE DRIVING ARM	1
7		8013308	针杆小连杆	NEEDLE DRIVING LINK	1
8	02	8065407	五线针夹 (5线-DE Δ)	NEEDLE CLAMP, CHAIN LOOPER	1
9		8013506	针杆连轴节	NEEDLE BAR HOLDER	1
10		8013605	针杆上轴套	NEEDLE BAR BUSHING, UPPER	1
11	04	8065100	四线针夹 (4线)	NEEDLE CLAMP, 2-NEEDLE	1
12		8013803	针杆	NEEDLE BAR	1
13		8013902	针杆下轴套	NEEDLE BAR BUSHING, LOWER	1
14	01	8016103	机针线小压板座A	NEEDLE THREAD PRESSER GUIDE A	1
15	02	8014009	机针线小压板座B	NEEDLE THREAD PRESSER GUIDE	1
16		8014207	机针线小压板	NEEDLE THREAD PRESSER PLATE A	1
17		8014405	机针线小压板簧	NEEDLE THREAD PRESSER SPRING	1
18		8014504	机针线小压板套	THREAD GUIDE COLLAR	1
19		8015709	针杆回油毛毡A	FELTA	2
20	03	8014603	机针线挑线杆 (3线)	TAKE-UP LEVER	1
21	04	8014702	机针线挑线杆 (4线)	TAKE-UP LEVER, 2-NEEDLE	1
22	02	8014801	机针线挑线杆 (5线)	TAKE-UP LEVER, CHAIN LOOP	1
23	03	8014900	机针过线板 (3线)	NEEDLE THREAD GUIDE	1
24	04	8015006	机针过线板 (4线)	NEEDLE THREAD GUIDE, 2-NEEDLE	1
25	02	8015105	机针过线板 (5线)	THREAD GUIDE, CHAIN LOOP	1
26	02	8015303	机针线挑线杆导向板 (5线)	TAKE-UP LEVER GUIDE	1
27	01	8015402	机针线挑线杆导向 (3/4线)	TAKE-UP LEVER GUIDE, 2-NEEDLE	1
28	02	8015501	机针线挑线杆导向 (5线-DE Δ)	TAKE-UP LEVER GUIDE, CHAIN LOOP	1
29		8015600	针杆回油罩	COVER	1
30		BP-3000001-OO	针杆回油管	VINYL TUBE	0.31
31		CQ-2000000-OO	针杆回油管油芯线	OIL WICK	0.32
32	*	8107503	针杆回油管镶套	PLUG	1
33	03	MDC-270B11-OO	机针 (DCX27-11#)	NEEDLE DCX27 #11	1
34	05	MDC-270B11-OO	机针 (DCX27-11#)	NEEDLE DCX27 #11	2
35		SM-6041202-TP	针杆连杆螺钉 M4X0.7 L=12	SCREW M4X0.7 L=12	2
36		SM-6040600-SP	针杆连杆销紧定螺钉 M4 L=6	SCREW M4 L=6	1
37		SM-6061202-TP	针杆摇杆螺钉 M6 L=12	SCREW M6 L=12	1
38		CQ-2000000-OO	针杆连杆销油芯	OIL WICK	0.05
39		SM-6061002-TP	针杆曲柄螺钉 M6 L=10	SCREW M6 L=10	1
40		SM-8050502-TP	针杆曲柄紧定螺钉 M5 L=5	SCREW M5 L=5	1
41		SM-8030312-TP	针杆小连杆销紧定螺钉 M3 L=3	SCREW M3 L=3	1
42		SM-6041000-SP	针杆连轴节螺钉 M4 L=10	SCREW M4 L=10	1
43		SM-8030312-TP	针杆小连杆销紧定螺钉 M3 L=3	SCREW M3 L=3	1
44		CQ-2000000-OO	针杆小连杆销油芯	OIL WICK	0.04
45		8120605	针杆上轴套螺钉	SCREW	1
46		8100409	针杆驱动轴紧圈	THRUST COLLAR	2
47		SM-8040412-TP	针杆驱动轴紧圈紧定螺钉 M4 L=4	SET SCREW M4 L=4	4
48		8117205	机针线小压板螺钉	SCREW	1
49	03	SM-8030312-TP	机针螺钉 M3 L=3	SCREW M3 L=3	1
50	05	SM-8030312-TP	机针螺钉 M3 L=3	SCREW M3 L=3	2
51		SM-6040800-SP	机针线挑线杆螺钉	SCREW	2
52		SM-6040600-SP	机针过线板螺钉 M4 L=6	SCREW M4 L=6	2
53		SM-4040655-SP	机针线挑线杆导向板螺钉 M4 L=6	SCREW M4 L=6	1
54		8118104	针杆回油罩螺钉	SCREW	2
55	03	8065001	三线针夹	NEEDLE CLAMP	1
56		80162A0	针杆连杆销	CRANK PIN A	1
57		80120A1	针杆小连杆销	LINK PIN C	2
	NOTE	01....GN880-3用, 880-4用	01....FOR GN880-3, 880-4		
		02....GN880-5用	02....FOR GN880-5		
		03....GN880-3用	03....FOR GN880-3		
		04....GN880-4用	04....FOR GN880-4		
		05....GN880-4用, 880-5用	05....FOR GN880-4, 880-5		
		06....另件选配件	06....FOR SELECTIVE PART		

4. 压脚部件 (1)

4. PRESSER FOOT COMPONENTS (1)



序号 REF.NO.	NOTE	件号 PART NO.	零件名称	DESCRIPTION	数量 Qty
1		8017507	压脚轴	PRESSER FOOT SHAFT	1
2		8017606	压脚轴套	BUSHING	1
3		8017705	压脚扳手	LIFTING ARM	1
4		8017804	压脚扳手簧	SPRING	1
5		8017903	压脚轴曲柄	THRUST ARM	1
6		8018000	压脚轴接套	PRESSER FOOT SHAFT ARM	1
7		8018109	压脚轴销	PRESSER FOOT ARM HINGE SHAFT	1
8		8018208	压脚臂	PRESSER FOOT ARM	1
9		8018414	压脚压杆	PRESSER BAR	1
10		8018513	压脚压销	PRESSER BAR BLOCK	1
11		8018604	压脚压杆导向块	LIFTING PIN BLOCK	1
12		8018703	压脚簧	PRESSER SPRING	1
13		8018802	压脚调压螺钉	PRESSER REGULATOR SCREW	1
14		8018950	压脚扳手组件	PRESSER LIFTING LEVER ASM.	1
15		8019107	压脚扳手扭簧	SPRING	1
16		8019206	压脚扳手限位螺钉	STOPPER	1
17		8019305	抬压脚曲柄钩	LEVER HOOK	1
18		8019404	抬压脚扳手	PRESSER FOOT LIFTING LEVER	1
19		8019503	抬压脚扳手限位板	STOPPER PLATE	1
20		8019602	割线刀	THREAD TRIMMER	1
21	01	8019701	三四线压脚限位板	STOPPER	1
22	02	8019800	压脚扭簧	PRESSER FOOT ARM SPRING	1
23		8020006	压脚限位板	STOPPER	1
24		8020105	抬压脚扳手轴位螺钉	HINGE SCREW	1
25		8020204	抬压脚扳手扭簧	LIFTING LEVER SPRING	1
26		8020303	抬压脚扳手扭簧挂钩	LIFTING LEVER SPRING HOOK	1
27		SS-6110710-TP	压脚轴曲柄销钉 11/64-40 L=6.5	SCREW 11/64 - 40 L=6.5	1
28		SS-9151210-TP	压脚轴曲柄螺钉 15/64-28 L=11.8	SCREW 15/64 - 28 L=11.8	1
29		SM-8030312-TP	压脚臂轴销紧定螺钉 M3 L=3	SCREW M3 L=3	1
30		8101506	压脚压杆导向块销	PRESSER BAR LIFTING PIN	1
31		8113600	压脚扳手轴位螺钉	HINGE SCREW	1
32		SM-6051400-SP	抬压脚扳手限位块螺钉	SCREW	2
33		NM-6050001-SP	抬压脚扳手限位板螺母	NUT M5	2
34		8121207	抬压脚扳手限位板螺钉	SCREW	2
35		8118005	割线刀螺钉	SCREW	1
36	01	8118005	三四线压脚限位板螺钉	SCREW	1
37	02	8118005	压脚扭簧螺钉	SCREW	1
38		8118005	压脚限位板螺钉	SCREW	1
39		SM-8051002-TP	抬压脚轴套螺钉 M5 L=10	SCREW M5 L=10	1
40		SM-6060800-SP	抬压脚扳手扭簧挂钩螺钉 M6 L=8	SCREW M6 L=8	1
41		8067700	护指钢丝	FINGER GUARD	1

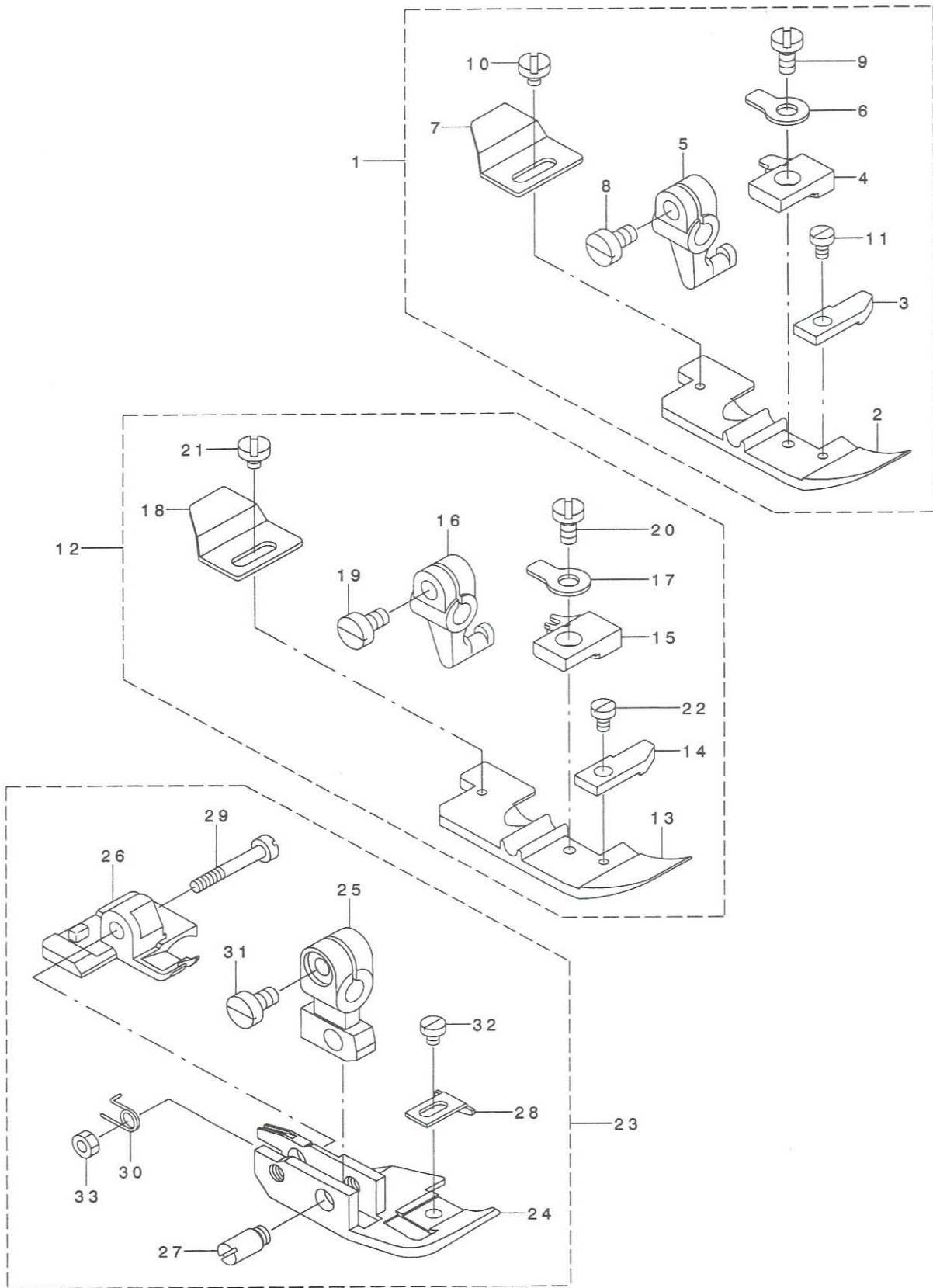
NOTE

01....GN880-3用, 880-4用
02....GN880-5用

01....FOR GN880-3, 880-4
02....FOR GN880-5

5. 压脚部件 (2)

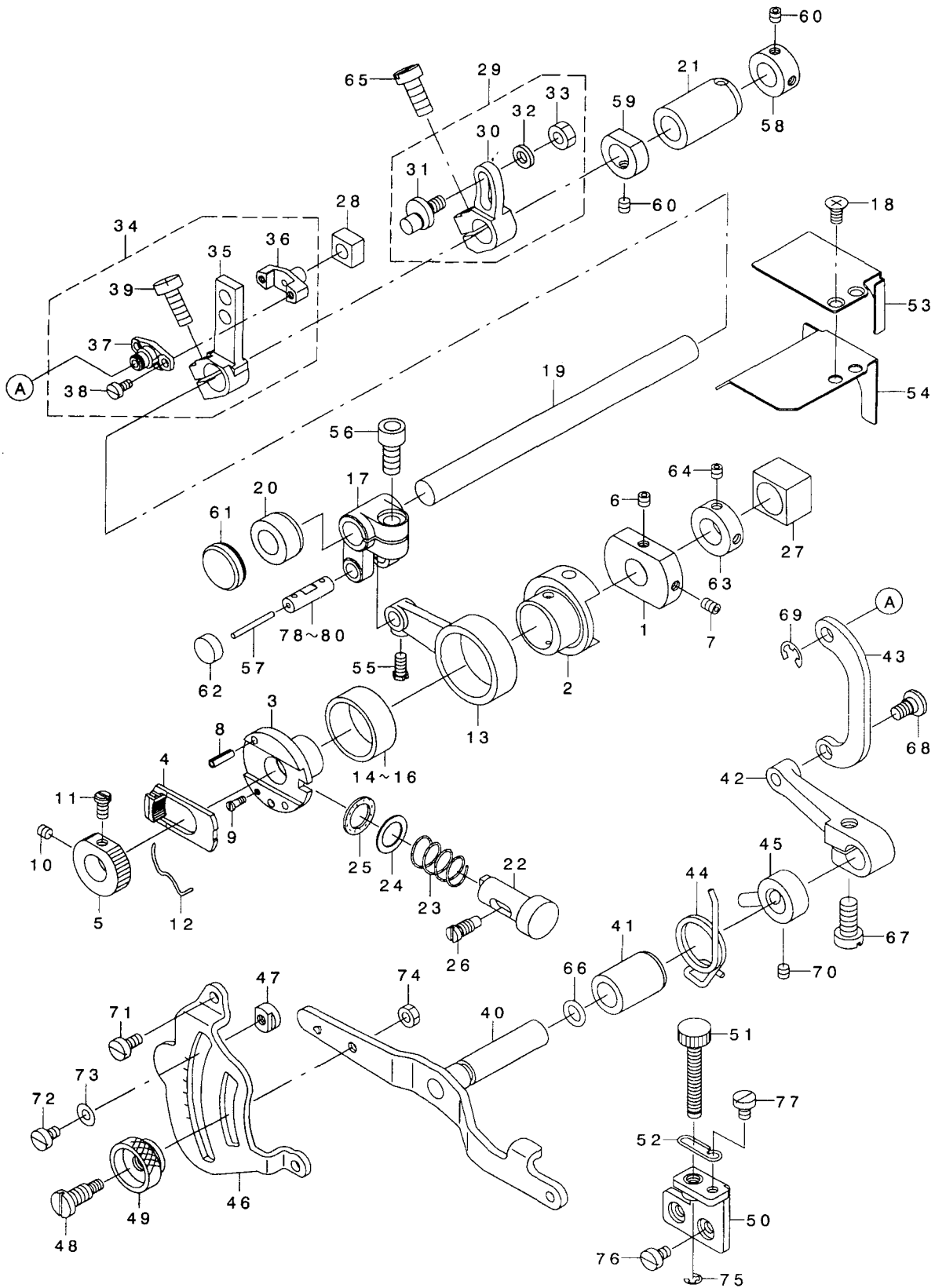
5. PRESSER FOOT COMPONENTS (2)



序号 REF.NO	NOTE	件号 PART NO.	零件名称	DESCRIPTION	数量 Qty
1	01	8066058	压脚组件 (3 线)	PRESSER FOOT ASM.	1
2		8067007	3A压脚底板	PRESSER FOOT	(1)
3		8067160	三四线辅助压脚	CURL GUARD	(1)
4		8067205	压脚编结导块 (3 A 5)	STITCH TONGUE	(1)
5		8067304	三四线压脚柄	PRESSER FOOT HINGE	(1)
6		8067403	三四线压脚柄压簧	SPRING	(1)
7		8067502	线辫挡板	REAR PRESSER FOOT	(1)
8	*	SS-6090670-TP	压脚柄螺钉	SCREW 9/64 - 40 L=6	(1)
9		8116306	压脚编织导块螺钉	SCREW	(1)
10		8116207	线辫挡板螺钉	SCREW	(1)
11		SS-6060410-TP	三四线辅助压脚螺钉	SCREW 3/32 - 56 L=3.5	(1)
12	02	8066553	压脚组件 (4 线)	PRESSER FOOT ASM.	1
13		8067809	压脚底板 (4 A)	PRESSER FOOT	(1)
14		8067106	三四线辅助压脚	CURL GUARD	(1)
15		8067908	压脚编结导块 (4 B 6)	STITCH TONGUE	(1)
16		8067304	三四线压脚柄	PRESSER FOOT HINGE	(1)
17		8067403	三四线压脚柄压簧	SPRING	(1)
18		8067502	线辫挡板	REAR PRESSER FOOT	(1)
19	*	SS-6090670-TP	压脚柄螺钉	SCREW 9/64 - 40 L=6	(1)
20		8116306	压脚编织导块螺钉	SCREW	(1)
21		8116207	线辫挡板螺钉	SCREW	(1)
22		SS-6060410-TP	三四线辅助压脚螺钉	SCREW 3/32 - 56 L=3.5	(1)
23	03	8070050	压脚组件 (5 线)	PRESSER FOOT ASM.	1
24		8071009	压脚底板 (5 B)	PRESSER FOOT	(1)
25		8071108	五线压脚柄 (5 B)	PRESSER FOOT HINGE	(1)
26		8071207	后压脚 (5 B)	REAR PRESSER FOOT	(1)
27		8071306	5A压脚无头轴位螺钉	HINGE PIN	(1)
28		8071405	五线辅助压脚	CLOTH PRESSER	(1)
29		8071504	5A压脚轴位螺钉	HINGE SCREW	(1)
30		8071603	5A小压脚扭簧	SPRING	(1)
31	*	SS-6090670-TP	压脚柄螺钉	SCREW 9/64 - 40 L=6	(1)
32		SS-6060340-SP	五线辅助压脚螺钉	SCREW 3/32 - 56 L=2.5	(1)
33		NS-6080210-SP	5A压脚轴位螺钉螺母	NUT 1/8 - 44	(1)
		NOTE	GN880-3 用	01...FOR GN880-3	
			GN880-4 用	02...FOR GN880-4	
			GN880-5 用	03...FOR GN880-5	

6. 送料部件 (1)

6. FEED MECHANISM COMPONENTS (1)



序号	件号	零件名称	DESCRIPTION	数量	
REF.NO	NOTE	PART NO.		Qty	
1		8021004	送料调节偏心座	FEED ECCENTRIC BODY	1
2		8021103	5A 送料偏心	FEED CAM	1
3		8021301	5A 送料调节偏心	FEED ADJUSTING CAM	1
4		8021509	送料调节偏心棘轮爪	RATCHET PAWL	1
5		8021608	送料调节偏心棘轮	RATCHET GEAR	1
6		SM-8040412-TP	送料调节偏心座紧定螺钉 4M L=4	SET SCREW M4 L=4	1
7		SM-8040612-TP	送料调节偏心座紧定螺钉 4M L=6	SCREW M4 L=6	1
8		8101407	送料调节限位销 GB879-86 3X10	FEED REGULATING PIN	2
9		8117304	送料偏心调节棘轮爪压簧吊钩螺钉	SCREW	1
10		SM-8040412-TP	送料偏心调节棘轮紧定螺钉 A 4M L=4	SET SCREW M4 L=4	1
11		8118203	送料偏心调节棘轮紧定螺钉 B	RATCHET GEAR SET SCREW B	1
12		B1606-704-000	送料偏心调节棘轮爪压簧	RATCHET PAWL SPRING	1
13		8021806	送料连杆	FEED CRANK ROD	1
14	01	8021905	送料连杆滚针轴承 A	FEED BEARING A	1
15	01	8022002	送料连杆滚针轴承 B	FEED BEARING B	1
16	01	8022101	送料连杆滚针轴承 C	FEED BEARING C	1
17		8022200	送料摇杆	FORKED CRANK	1
18		SM-1040801-SP	送料牙架挡油板螺钉 M4X0.7 L=8	SCREW M4X0.7 L=8	2
19		8022408	送料轴	FEED SHAFT	1
20		8022507	送料轴前轴套	FEED SHAFT BUSHING, FRONT	1
21		8022606	送料轴后轴套	FEED SHAFT BUSHING, REAR	1
22	*	8027803	送料调节按钮 A	PUSH BUTTON SHAFT	1
23		8022804	送料调节按钮簧	PUSH BUTTON SPRING	1
24		8022903	送料调节按钮垫圈	WASHER	1
25	*	8027902	送料调节按钮 B	PUSH BUTTON SHAFT B	1
26	*	8023117	送料调节按钮导向螺钉	PUSH BUTTON SHAFT SCREW	1
27	*	8023216	抬牙滑块	SLIDE BLOCK	1
28		8023703	差动送料牙架滑块	DIFFERENTIAL FEED SLIDE BLOCK	1
29		8023851	主送料曲柄组件	MAIN FEED ROCKER ASM.	1
30		8023802	主送料曲柄	MAIN FEED ROCKER	(1)
31		8027001	主送料曲柄销	PIN	(1)
32		8027100	主送料曲柄销垫圈	WASHER	(1)
33		NS-6620320-SP	主送料曲柄销螺母 3/16-32	NUT 3/16 - 32	(1)
34		8023950	差动送料曲柄组件	DIFFERENTIAL FEED ROCKER ASM.	1
35		8023901	差动送料曲柄	DIFFERENTIAL FEED ROCKER	(1)
36		8024008	差动送料曲柄滑销	PIN	(1)
37		8024107	差动送料曲柄滑销盖	PIN COVER	(1)
38		SM-6030600-SP	差动送料曲柄滑销盖螺钉 M3X0.5 L=6	SCREW M3X0.5 L=6	(2)
39		8120407	差动送料曲柄螺钉	SCREW	(1)
40		8024552	差动调节扳手组件	DIFFERENTIAL FEED SHAFT ASM.	1
41		8024701	差动调节扳手轴套	BUSHING	1
42		8024800	差动调节曲柄	DIFFERENTIAL FEED ARM	1
43		8024909	差动连杆	DIFFERENTIAL FEED LINK	1
44		8025005	差动调节扳手扭簧	SPRING	1
45		8025153	差动调节扳手轴紧圈组件	SPRING HOOK ASM.	1
46		8025203	差动调节刻度板	DIFFERENTIAL FEED GRADUATION	1
47		8025302	差动调节扳手限位块	STOPPER	2
48		8025401	差动调节扳手轴位螺钉	HINGE SCREW	1
49		8025500	差动调节扳手锁紧螺母	LOCK NUT	1
50	*	8025609	差动微调螺钉座	SCREW BASE ASM.	1
51		8025807	差动微调螺栓	SCREW	1
52		8025906	差动微调螺栓簧	ROTATION STOPPER	1
53	*	8026615	送料牙架挡油板 (A)	OIL SHIELD A	1
54	*	8026714	送料牙架挡油板 (B)	OIL SHIELD B	1
55		8115100	送料摇杆销紧定螺钉	SCREW	1
56		SM-6061402-TP	送料摇杆螺钉 M6 L=14	SCREW M6 L=14	1
57		CQ-2000000-OO	送料连杆销油芯	OIL WICK	0.04
58		8100201	送料轴紧圈 (厚)	THRUST COLLAR	1
59		8027308	送料轴紧圈 (薄)	THRUST COLLAR, THIN	1
60		SM-8040412-TP	送料轴紧圈紧定螺钉 M4 L=4	SET SCREW M4 L=4	3
61		8107305	送料轴孔油塞	RUBBER PLUG	1
62	*	8106901	送料连杆销橡胶塞	RUBBER PLUG D=10.3 L=4	1
63	*	8116504	送料调节按钮 B 螺钉	SCREW	1
64	*	RO-0952001-OO	送料调节按钮 O 型圈	RUBBER RING	1
65		8120407	主送料曲柄螺钉	SCREW	1
66		8103205	差动调节扳手轴 O 型密封圈	RUBBER RING	1
67		8120407	差动送料曲柄螺钉	SCREW	1
68		8113808	差动连杆轴位螺钉	HINGE SCREW	1
69		RE-0500000-KO	差动送料曲柄滑销盖开口挡圈	E-RING	1
70		SM-8040412-TP	差动调节扳手轴紧圈紧定螺钉 M4 L=4	SET SCREW M4 L=4	2
71		SM-6040800-SP	差动调节刻度板螺钉	SCREW	2
72		SM-6040600-SP	差动调节扳手限位块螺钉 M4 L=6	SCREW M4 L=6	2
73		WP-0450701-SD	差动调节扳手限位块垫圈 4.5X10X0.8	WASHER 4.5X10X0.8	2
74		NM-6040003-SD	差动调节扳手轴位螺钉螺母 M4	NUT M4	1
75		RE-0300000-KO	差动微调螺栓开口挡圈 3	E - RING 3	1
76		SM-6040600-SP	差动微调螺栓座螺钉 M4 L=6	SCREW M4 L=6	2
77		SM-6040600-SP	差动微调螺栓止动簧螺钉 M4 L=6	SCREW M4 L=6	1
78	01	8027407	送料连杆销 A	FORKED CRANK PIN A	1
79	01	8027506	送料连杆销 B	FORKED CRANK PIN B	1
80	01	8027605	送料连杆销 C	FORKED CRANK PIN C	1
81	*	8027704	牙架防油板	OIL SHIELD	1
82	*	SM-6040600-SP	牙架防油板螺钉 M4 L=6	SCREW M4 L=6	2
83	*	SS-5060310-SP	送料牙架挡油板 (A) 螺钉 3/32-56 L=2.8	SCREW 3/32 - 56 L=2.8	2

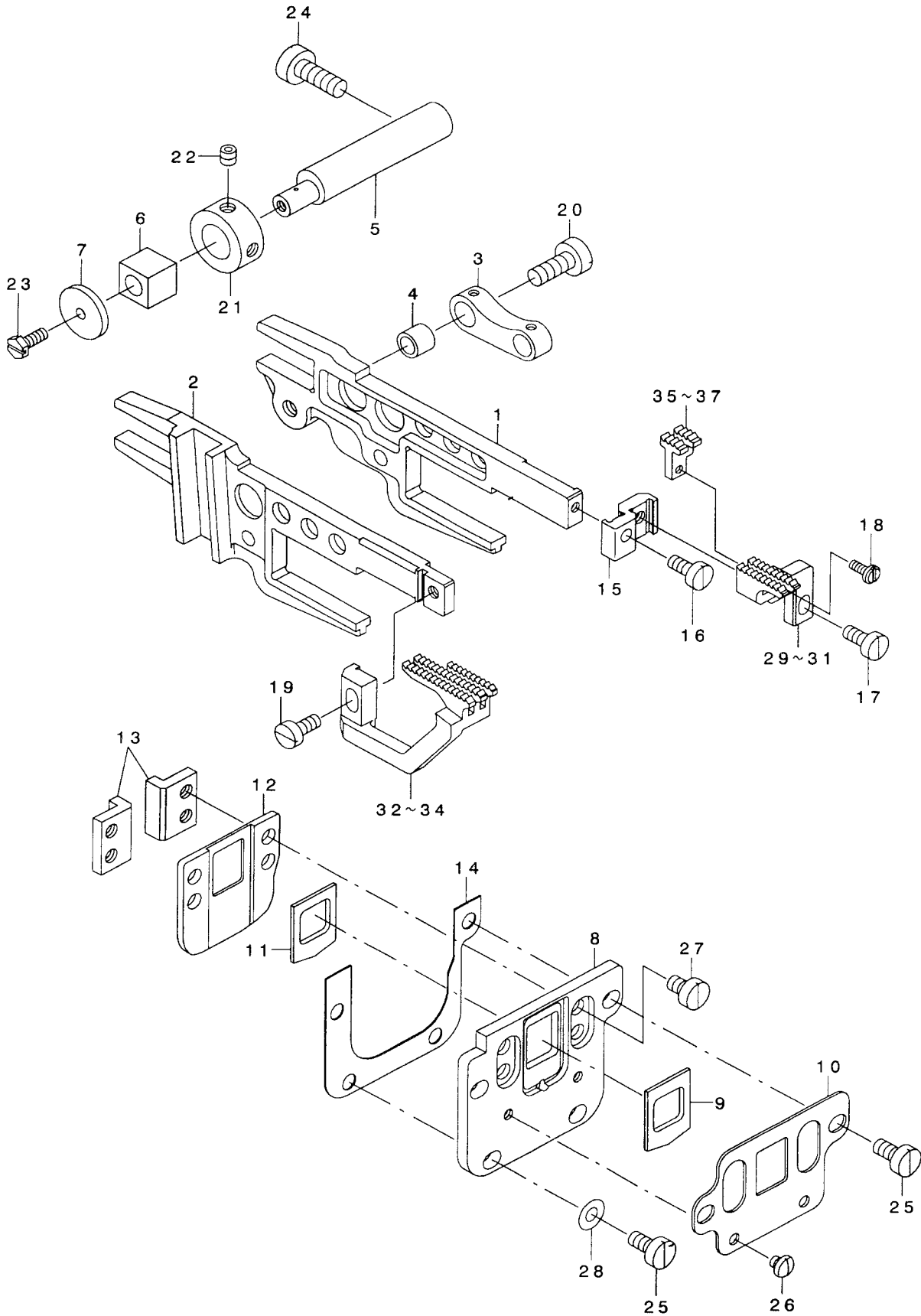
NOTE

01.... 另件选配件

01....SELECTIVE PART

7. 送料部件 (2)

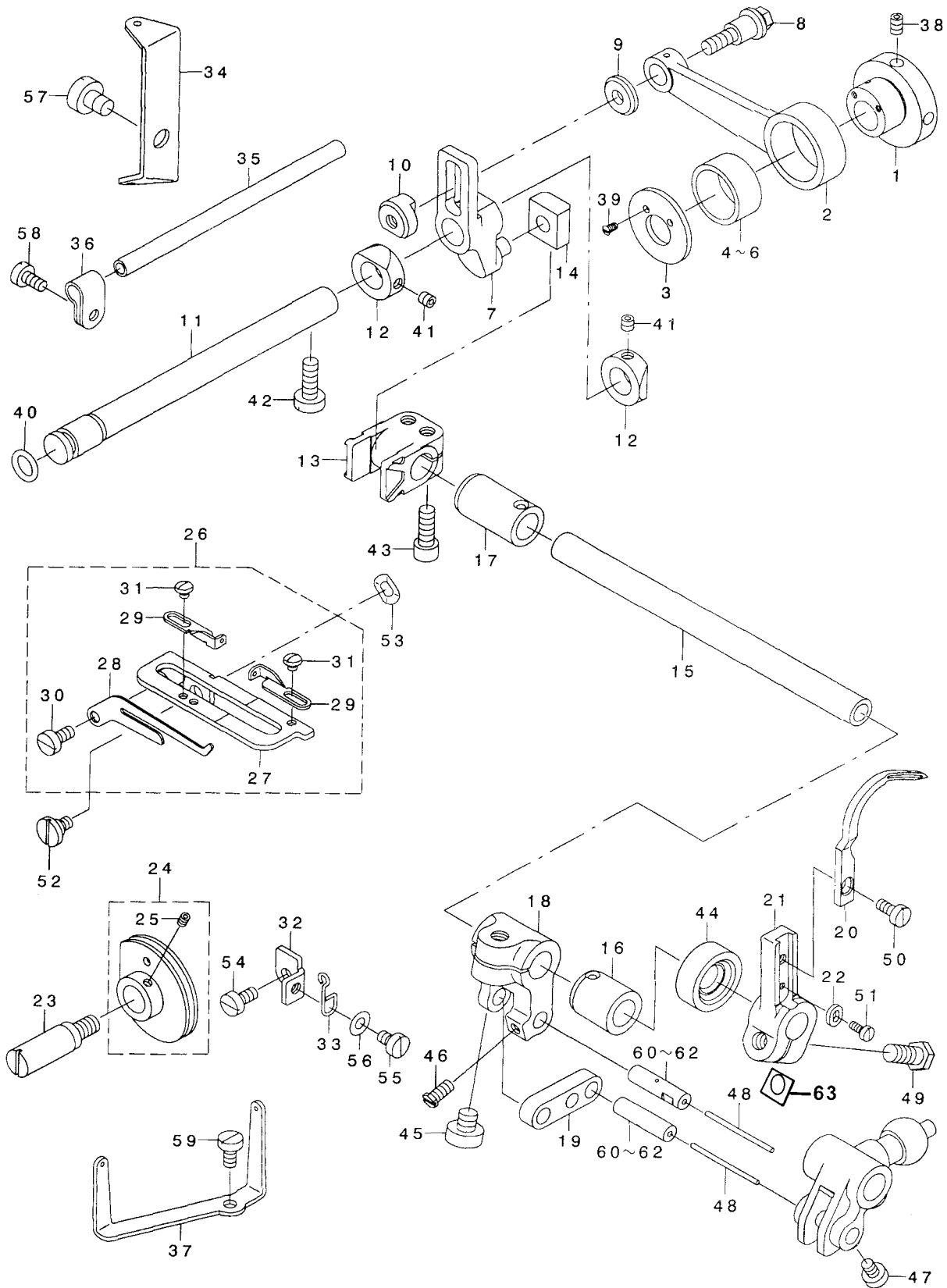
7. FEED MECHANISM COMPONENTS (2)



序号 REF.NO.	NOTE	件号 PART NO.	零件名称	DESCRIPTION	数量 Qty
1	*	8023356	送料牙架组件	FEED BAR ASM.	1
2		8023505	差动送料牙架	DIFFERENTIAL FEED BAR	(1)
3		8023307	主送料牙架	MAIN FEED BAR	(1)
4		8027209	主送料牙架连杆轴套	MAIN FEED LINK COLLAR	1
5	*	8024214	牙架支承偏心轴	FEED BAR SHAFT	1
6		8024305	牙架支承滑块	SLIDE BLOCK	1
7		8024404	牙架支承滑块挡板	WASHER	1
8		8026003	送料牙架防尘橡胶片座	DUST GUARD RUBBER CASE	1
9		8026102	送料牙架防尘橡胶片	DUST GUARD RUBBER	1
10		8026201	送料牙架防尘橡胶片压板	PRESSER PLATE	1
11		8026300	送料牙架挡油橡胶片	OIL SHIELD RUBBER	1
12	*	8026417	送料牙架挡油橡胶片压板	PRESSER PLATE	1
13		8026508	送料牙架左右导向板	FEED BAR SUPPORT	2
14		8026904	送料牙架防尘橡胶片座密封垫	DUST GUARD RUBBER CASE GASKET	1
15		8026805	主送料牙接板	MAIN FEED DOG INSTALLING BASE	1
16		SS-6090810-TP	主送料牙接板螺钉 9/64-40 L=7.5	SCREW 9/64 - 40 L=7.5	1
17		SS-6090810-TP	主送料牙螺钉 9/64-40 L=7.5	SCREW 9/64 - 40 L=7.5	1
18		8116009	辅助送料牙螺钉	SCREW	1
19		SS-6090810-TP	差动送料牙螺钉 9/64-40 L=7.5	SCREW 9/64 - 40 L=7.5	1
20		SS-6121220-TP	主送料牙架连杆螺钉 3/16-28 L=11.5	SCREW 3/16 - 28 L=11.5	1
21	*	8100102	牙架支承偏心轴紧圈	THRUST COLLAR	1
22		SM-8040412-TP	牙架支承偏心轴紧圈紧定螺钉 M4L=4	SET SCREW M4 L=4	1
23		8124102	牙架支承滑块挡板螺钉	SCREW	1
24		SM-6051400-SP	牙架支承偏心轴紧定螺钉	SCREW	1
25	*	SM-6041000-SP	送料牙架防尘橡胶片座螺钉 M4L=10	SCREW M4 L=10	4
26		8117520	送料牙架防尘橡胶片压板螺钉	SCREW	2
27	*	SM-4040755-SP	送料牙架左右导向板螺钉	SCREW	4
28		WP-0430800-SD	送料牙架防尘橡胶片座垫圈 M4	WASHER M4	2
29	01	8076008	主送料牙 (3 A)	MAIN FEED DOG	1
30	02	8076107	主送料牙 (4 A)	MAIN FEED DOG	1
31	03	8076206	主送料牙 (5 A)	MAIN FEED DOG	1
32	01	8078004	差动送料牙 (3 A)	DIFFERENTIAL FEED DOG	1
33	02	8078103	差动送料牙 (4 A)	DIFFERENTIAL FEED DOG	1
34	03	8078202	差动送料牙 (5 A)	DIFFERENTIAL FEED DOG	1
35	01	8080000	辅助送料牙 (3 A)	AUXILIARY FEED DOG	1
36	02	8080109	辅助送料牙 (4 A)	AUXILIARY FEED DOG	1
37	03	8080208	辅助送料牙 (5 A)	AUXILIARY FEED DOG	1
38		8023604	主送料牙架连杆	MAIN FEED LINK	1
		NOTE	01...GN880-3 用	01...FOR GN880-3	
			02...GN880-4 用	02...FOR GN880-4	
			03...GN880-5 用	03...FOR GN880-5	

8. 链线部件

8. CHAIN LOOPER COMPONENTS (FOR GN880-5)



序号 REF.NO	NOTE	件号 PART NO.	零件名称	DESCRIPTION	数量 Qty
1		8028009	链线弯针进出偏心轮	CHAIN LOOPER ECCENTRIC CAM	1
2		8028108	链线弯针进出连杆	CHAIN LOOPER ROD	1
3		8028207	链线弯针进出偏心轮盖板	ECCENTRIC CAM COVER	1
4	01	8028306	链线弯针进出连杆滚针轴承 A	CHAIN LOOPER ROD BEARING A	1
5	01	8028405	链线弯针进出连杆滚针轴承 B	CHAIN LOOPER ROD BEARING B	1
6	01	8028504	链线弯针进出连杆滚针轴承 C	CHAIN LOOPER ROD BEARING C	1
7		8028603	链线弯针进出曲柄	CHAIN LOOPER SHAFT SLIDE ARM	1
8		8028702	链线弯针进出调节螺钉	HINGE SCREW	1
9		8028801	链线弯针进出调节螺钉垫圈	WASHER	1
10		8031607	链线弯针进出调节螺钉螺母	NUT	1
11		8028900	链线弯针进出曲柄轴	CHAIN LOOPER SHAFT	1
12		8029007	链线弯针进出曲柄轴紧圈	CHAIN LOOPER SHAFT THRUST	2
13		8029106	链线弯针进出拨叉	SLIDE BLOCK BRACKET	1
14		8029205	链线弯针进出滑块	CHAIN LOOPER SLIDE BLOCK	1
15		8029304	链线弯针轴	CHAIN LOOPER SHAFT	1
16		8029403	链线弯针轴前轴套	BUSHING, FRONT	1
17		8029502	链线弯针轴后轴套	BUSHING, REAR	1
18		8029601	链线弯针曲柄	CHAIN LOOPER SHAFT DRIVING ARM	1
19		8029700	链线弯针连杆	DRIVING LINK	1
20		8082600	链线弯针	CHAIN LOOPER	1
21		8029908	链线弯针摇杆	CHAIN LOOPER DRIVING ARM	1
22		8030005	链线弯针限位挡块	LOWER LOOPER STOPPER	1
23		8030104	链线弯针挑线凸轮轴	LOOPER THREAD CAM SHAFT	1
24		8030250	链线弯针挑线凸轮组件	LOOPER THREAD CAM ASML	1
25		SM-8030312-TP	链线弯针挑线凸轮组件紧定螺钉	SCREW M3 L=3	(2)
26		8030559	链线弯针线量调节器组件	THREAD GUIDE ASML	1
27		8030658	链线弯针线量调节器座组件	THREAD GUIDE BASE ASML	(1)
28		8030807	链线弯针线量夹板	LOOPER THREAD CAM CLAW	(1)
29		8030906	链线弯针线量调节板	THREAD GUIDE	(2)
30		SM-6040800-SP	链线弯针线量夹板螺钉	SCREW	(1)
31		8117502	链线弯针线量调节板螺钉	SCREW	(2)
32		8031003	链线弯针线量调节器限位块	THREAD GUIDE BASE STOPPER BASE	1
33		8031102	链线弯针线量调节器锁紧簧	THREAD GUIDE BASE STOPPER	1
34		8031201	链线弯针导线板	LOOPER THREAD CONDUIT GUIDE	1
35		8031300	链线弯针导线管	LOOPER THREAD CONDUIT	1
36		8031409	链线弯针导线管夹头	INSTALLING BASE	1
37		80031508	链线弯针线过线板	LOOPER THREAD GUIDE	1
38		SM-8040612-TP	链线弯针进出偏心紧定螺钉 M4 L=6	SCREW M4 L=6	2
39		8116108	链线弯针进出偏心盖板螺钉	SCREW	2
40	*	8103106	链线弯针进出轴 O 型圈	RUBBER RING	1
41		SM-8040412-TP	链线弯针进出曲柄轴紧圈紧定螺钉 M4 L=4	SET SCREW M4 L=4	2
42		SM-6051400-SP	链线弯针进出曲柄轴紧定螺钉	SCREW	1
43		SM-6051402-TP	链线弯针进出拨叉螺钉 M5X0.8 L=14	SCREW M5X0.8 L=14	2
44		8105507	弯针前轴套油封	OIL SEAL RING	1
45		SM-6061402-TP	链线弯针曲柄螺钉 M6 L=14	SCREW M6 L=14	1
46		8115100	链线弯针连杆销紧螺钉	SCREW	1
47		SM-6040600-SP	链线弯针连杆销紧螺钉 M4 L=6	SCREW M4 L=6	1
48		CQ-2000000-OO	链线弯针连杆销油芯	OIL WICK	0.1
49		8125208	链线弯针摇杆螺钉	SCREW	1
50		SS-6090810-SP	链线弯针螺钉 9/64-40 L=7.5	SCREW 9/64 - 40 L=7.5	1
51		SM-6850600-SP	链线弯针限位挡块螺钉	SCREW	1
52		8113907	链线弯针线量调节器轴位螺钉	HINGE SCREW	1
53		WZ-0641510-KP	链线弯针线量调节器波形弹性垫圈 6.4X11X0.3	WAVED WASHER 6.4X11X0.3	1
54		SM-6040800-SP	链线弯针线量调节器限位块螺钉	SCREW	1
55		SM-6040600-SP	链线弯针线量调节器锁紧簧螺钉 M4 L=6	SCREW M4 L=6	1
56		WP-0430800-SD	链线弯针线量调节器锁紧簧垫圈 M4	WASHER M4	1
57		SM-6060800-SP	链线弯针导线板螺钉 M6 L=8	SCREW M6 L=8	1
58		SM-6040800-SP	链线弯针导线管夹头螺钉	SCREW	1
59		SM-6040800-SP	链线弯针线过线板螺钉	SCREW	1
60	01	8031706	链线弯针连杆销 A	DRIVING LINK PIN A	2
61	01	8031805	链线弯针连杆销 B	DRIVING LINK PIN B	2
62	01	8031904	链线弯针连杆销 C	DRIVING LINK PIN C	2
63	*	8035301	链线弯针摇杆垫圈	WASHER	1

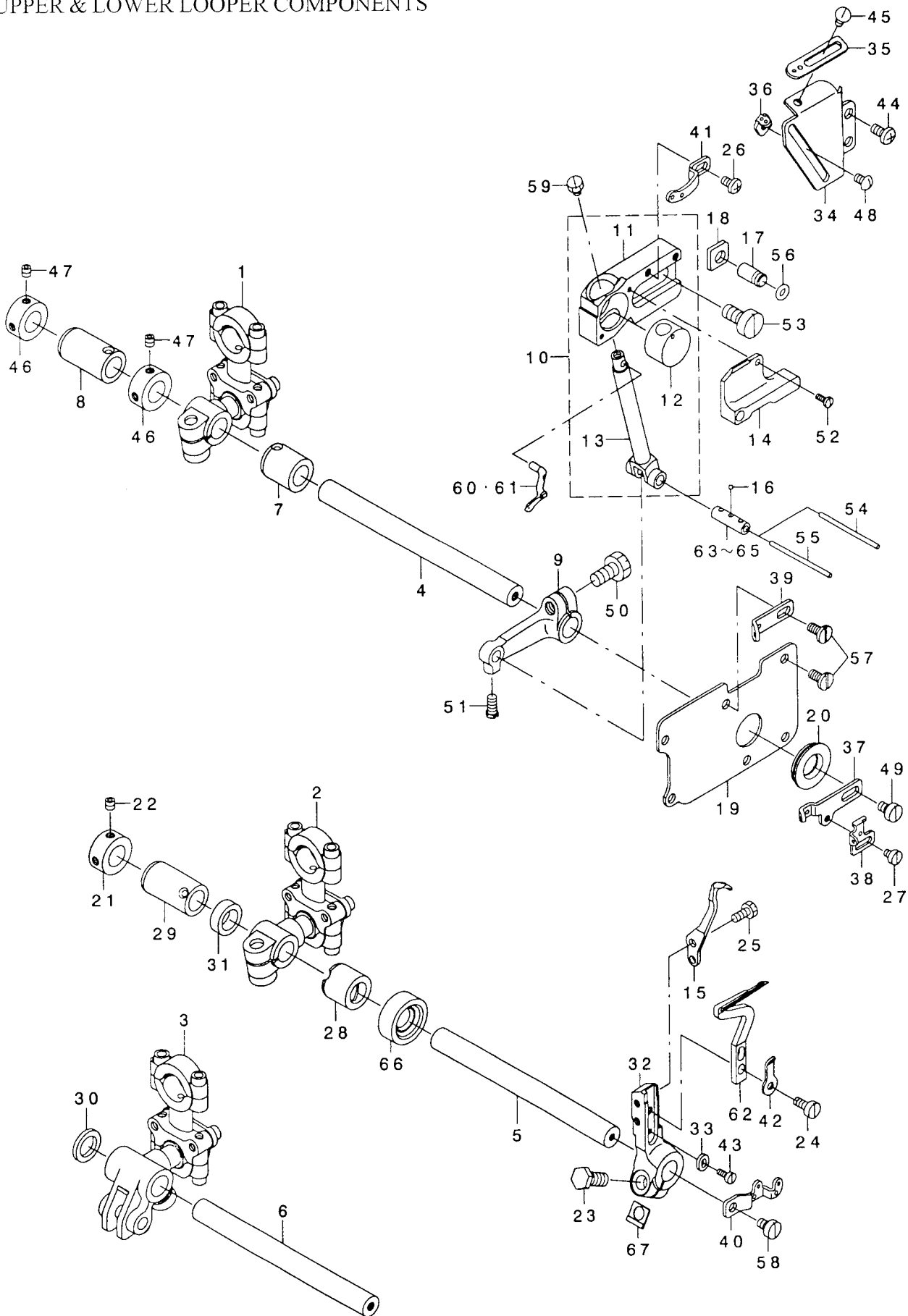
NOTE

01....另件选配件

01....SELECTIVE PART

9. 弯针部件

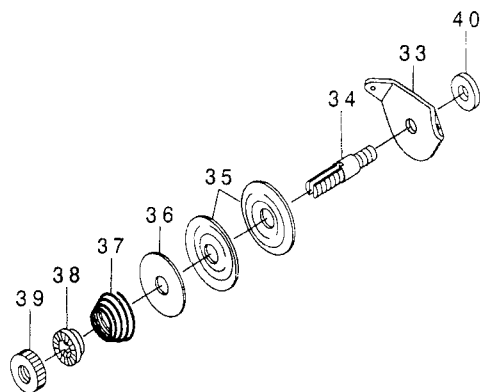
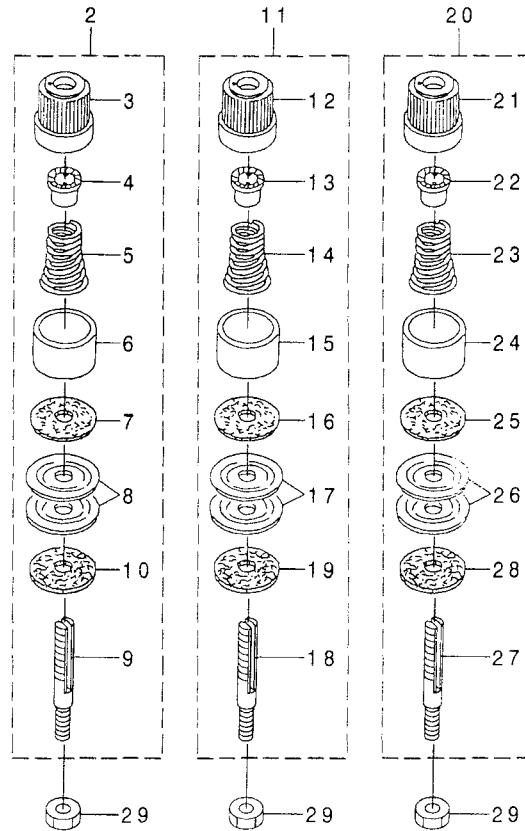
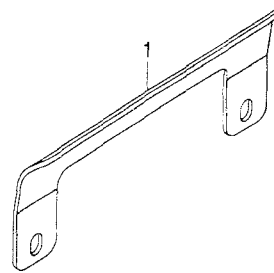
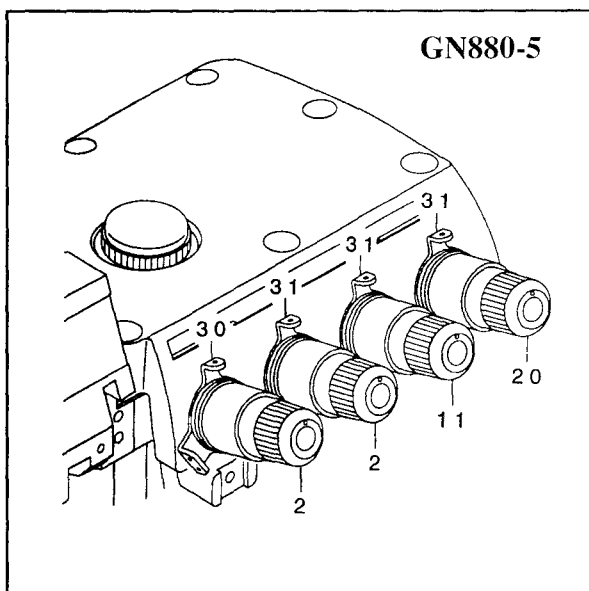
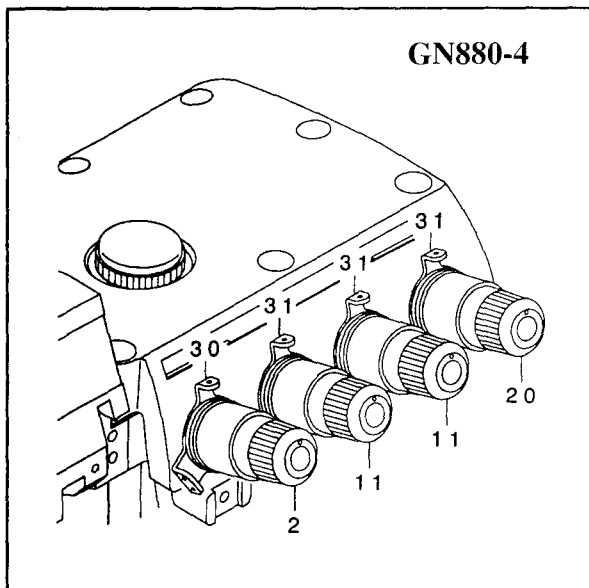
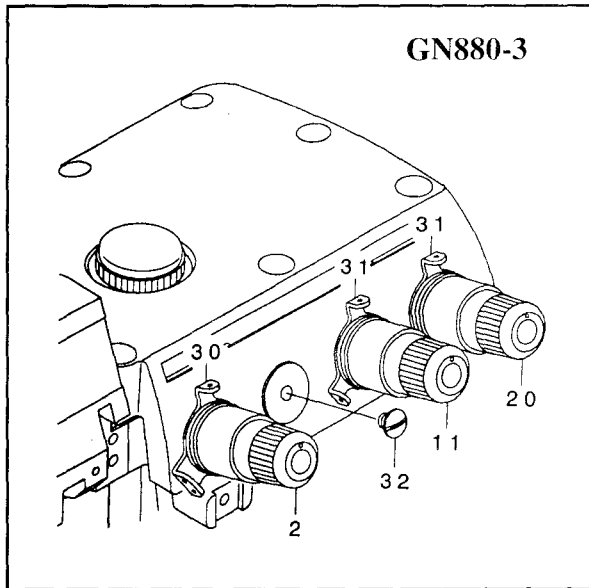
9. UPPER & LOWER LOOPER COMPONENTS



序号 REENO	NOTE	件号 PART NO.	零件名称	DESCRIPTION	数量 Qty
1	*	8033157	上弯针球曲柄组件	UPPER LOOPER BALL HOLDER ASML	1
2	*01	8035558	下弯针球曲柄组件 (3/4 线)	BALL HOLDER A ASM.	1
3	*02	8035657	下弯针球曲柄组件 (5 线)	BALL HOLDER B ASM.	1
4	*	8034205	上弯针轴	LOOPER SHAFT	1
5	01	8033306	下弯针轴 (3/4 线)	UPPER LOOPER SHAFT	1
6	02	8035103	下弯针轴 (5 线)	LOWER LOOPER SHAFT	1
7		8029403	弯针轴前轴套	BUSHING, FRONT	1
8		8029502	弯针轴后轴套	BUSHING, REAR	1
9		8033405	上弯针摇杆	LOOPER HOLDER	1
10		8033553	上弯针导套座架组件	LOOPER GUIDE SUPPORT ASM.	1
11		8033504	上弯针导套座	UPPER LOOPER GUIDE SUPPORT	(1)
12		8073108	上弯针导套	UPPER LOOPER GUIDE	(1)
13		8033702	上弯针导杆	UPPER LOOPER HOLDER	(1)
14		8033801	上弯针导套盖	UPPER LOOPER GUIDE COVER	1
15		8084002	摆动护针 (5 A)	TRAVELING NEEDLE GUARD	1
16		8034403	上弯针导杆销油线定位钢球	OIL WICK STOP BALL	1
17		8034502	上弯针导套座定位块销	PIN	1
18		8034601	上弯针导套座定位块	GAUGE	1
19		8034700	上弯针导套座挡油板	OIL SHIELD	1
20		8034809	上弯针轴橡胶圈	UPPER LOOPER SHAFT RUBBER RING	1
21	*	8100201	下弯针轴紧圈	THRUST COLLAR	1
22	*	SM-8040412-TP	下弯针轴紧圈螺钉 M4 L=4	SET SCREW M4 L=4	2
23		8125208	下弯针摇杆螺钉	SCREW	1
24		SS-6090810-TP	下弯针小过线板螺钉 9/64-40 L=7.5	SCREW 9/64-40 L=7.5	1
25		8116405	摆动护针螺钉	SCREW	2
26		SS-4090615-SP	上弯针过线 (中) 螺钉 9/64-40 L=6	SCREW 9/64-40 L=6	1
27		SS-6080410-SP	下弯针挑线螺钉 1/8-44 L=4	SCREW 1/8-44 L=4	1
28	*	8034908	下弯针轴前轴套	BUSHING, FRONT	1
29		8029502	弯针轴后轴套	BUSHING, REAR	1
30	02	8035707	下弯针轴隔套	SPACER	1
31	01	8035202	下弯针轴隔套	SPACER	1
32		8035806	下弯针摇杆	LOWER LOOPER ARM	1
33		8030005	下弯针限位挡块	LOWER LOOPER STOPPER	1
34		8040204	弯针线量调节板	LOOPER THREAD TAKE-UP COVER	1
35		8040303	上弯针过线 (右)	THREAD GUIDE, RIGHT	1
36		8040808	下弯针过线	THREAD GUIDE	1
37		8040402	上弯针挑线 (右)	THREAD TAKE-UP, RIGHT	1
38		8040709	下弯针挑线	LOWER LOOPER THREAD TAKE-UP	1
39		8036507	上弯针过线 (中)	THREAD GUIDE, MIDDLE	1
40		8040907	弯针挑线 (左)	LOWER THREAD GUIDE, LEET	1
41		8040501	上弯针过线 (上)	THREAD GUIDE, UPPER	1
42		8036804	下弯针过线 (左)	THREAD GUIDE, LEET	1
43		SM-6850600-SP	下弯针限位挡块螺钉	SCREW	1
44		SM-4040855-SP	弯针线量调节板螺钉	SCREW	2
45		SS-3090610-SP	上弯针过线 (右) 螺钉 9/64-40 L=6	SCREW 9/64-40 L=6	1
46		8100201	上弯针轴紧圈	THRUST COLLAR	2
47		SM-8040412-TP	上弯针轴紧圈螺钉 M4 L=4	SET SCREW M4 L=4	4
48		SS-3090610-SP	下弯针过线螺钉 9/64-40 L=6	SCREW 9/64-40 L=6	1
49		SM-6040600-SP	上弯针挑线 (右) 螺钉 M4 L=6	SCREW M4 L=6	1
50		SM-9061250-TP	上弯针摇杆螺钉 M6 L=12	SCREW M6 L=12	1
51		8115100	上弯针导杆销螺钉	SCREW	1
52		SS-7060610-SP	上弯针导套盖螺钉 3/32-56 L=5.5	SCREW 3/32-56 L=5.5	2
53		SM-6061200-SP	上弯针导套座螺钉	SCREW	2
54		CQ-2000000-OO	上弯针导杆销油芯	OIL WICK	0.04
55		CQ-2020000-OO	上弯针导杆销油芯	OIL WICK	0.04
56		8103007	上弯针导套座定位块销 O 形密封圈	RUBBER RING	1
57		8115209	上弯针导套座挡油板螺钉	SCREW	6
58		SM-6040600-SP	下弯针挑线 (左) 螺钉 M4 L=6	SCREW M4 L=6	1
59		SS-9090410-TP	上弯针螺钉	SCREW	1
60	03	8081107	上弯针 (3/5 线)	UPPER LOOPER	1
61	04	8081008	上弯针 (4 线)	UPPER LOOPER	1
62		8081800	下弯针	LOWER LOOPER	1
63	05	8033900	上弯针导杆销 A	UPPER LOOPER HOLDER PIN A	1
64	05	8034007	上弯针导杆销 B	UPPER LOOPER HOLDER PIN B	1
65	05	8034106	上弯针导杆销 C	UPPER LOOPER HOLDER PIN C	1
66		8105507	下弯针轴油封	OIL SEAL RING	1
67	*	8035301	下弯针摇杆垫圈	WASHER	1
NOTE			01....GN880-3 用, GN880-4 用	01....FOR GN880-3, GN880-4	
			02....GN880-5 用	02....FOR GN880-5	
			03....GN880-3 用, GN880-5 用	03....FOR GN880-3, GN880-5	
			04....GN880-4 用	04....FOR GN880-4	
			05....另件选配件	05....FOR SELECTIVE PART	

10. 过线部件

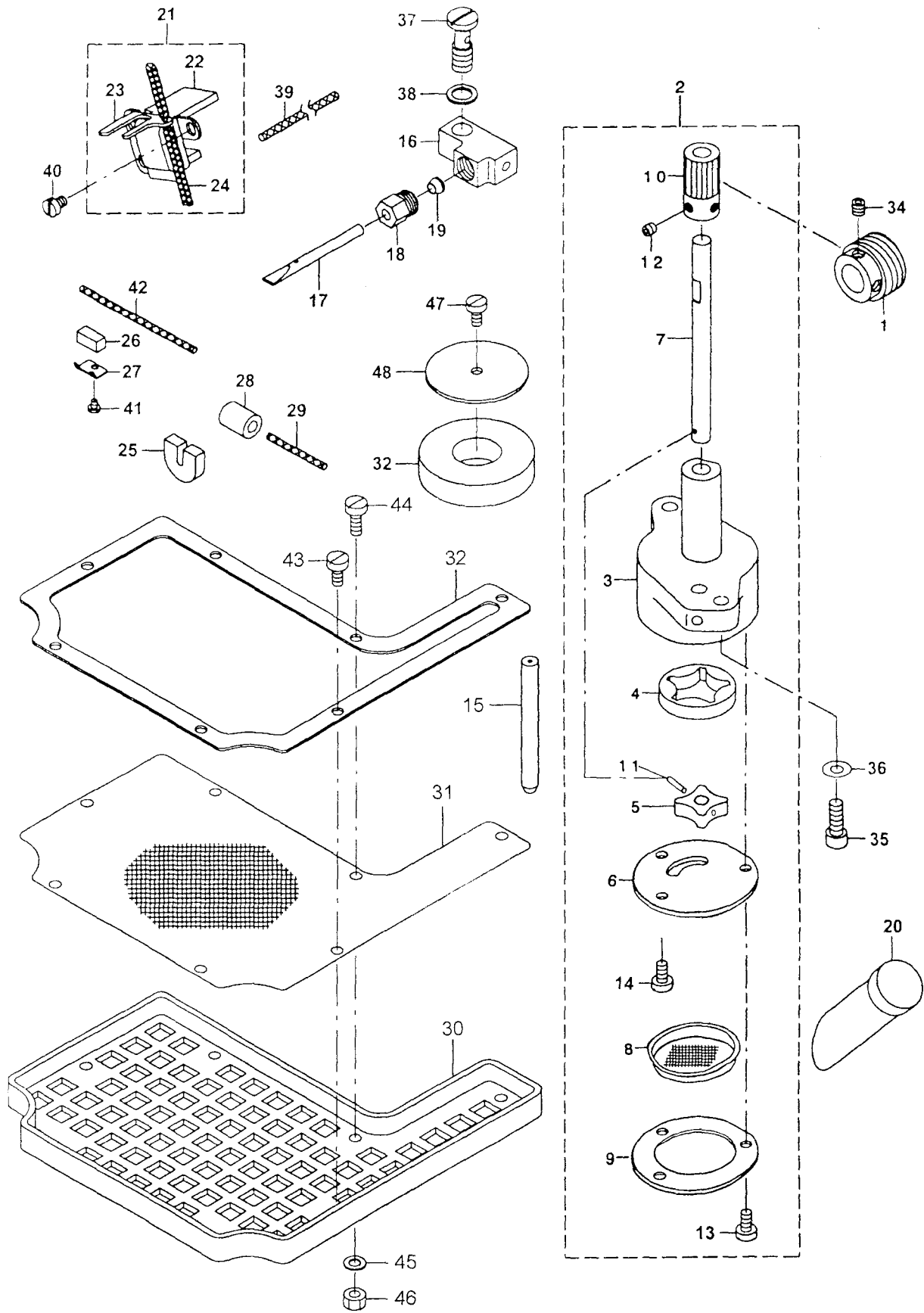
10. THREAD TENSION COMPONENTS



序号 REF.NO.	件号 NOTE	零件名称 PART NO.	DESCRIPTION	数量 Qty	
1		8038008	过线板	CENTER THREAD GUIDE	1
2		8038156	压线器组件 (红)	TENSION SPRING ASM., RED	1
3		8285003	压线螺母 (红)	THREAD TENSION KNOB, RED	(1)
4		8285508	压线压簧圈	TENSION SPRING BUSHING	(1)
5		8284709	机针线压线簧 (红)	TENSION SPRING, RED	(1)
6		8285409	压线簧座	TENSION DISK PRESSER	(1)
7		8285607	压线簧座毡垫	THREAD TENSION SPRING FELT	(1)
8		8285706	压线板	THREAD TENSION DISK	(2)
9		8239402	压紧螺钉	TENSION POST	(1)
10		8285805	压线螺钉橡胶座	THREAD TENSION RUBBER	(1)
11		8038255	压线器组件 (黄)	TENSION SPRING ASM., YELLOW	1
12		8285102	压线螺母 (黄)	THREAD TENSION KNOB, YELLOW	(1)
13		8285508	压线压簧圈	TENSION SPRING BUSHING	(1)
14		8284808	弯针线压线簧 (黄)	TENSION SPRING, YELLOW	(1)
15		8285409	压线簧座	TENSION DISK PRESSER	(1)
16		8285607	压线簧座毡垫	THREAD TENSION SPRING FELT	(1)
17		8285706	压线板	THREAD TENSION DISK	(2)
18		8239402	压紧螺钉	TENSION POST	(1)
19		8285805	压线螺钉橡胶座	THREAD TENSION RUBBER	(1)
20		8038354	压线器组件 (蓝)	TENSION SPRING ASM., BLUE	1
21		8285201	压线螺母 (蓝)	THREAD TENSION KNOB, BLUE	(1)
22		8285508	压线压簧圈	TENSION SPRING BUSHING	(1)
23		8284907	弯针线压线簧 (蓝)	TENSION SPRING, BLUE	(1)
24		8285409	压线簧座	TENSION DISK PRESSER	(1)
25		8285607	压线簧座毡垫	THREAD TENSION SPRING FELT	(1)
26		8285706	压线板	THREAD TENSION DISK	(2)
27		8239402	压紧螺钉	TENSION POST	(1)
28		8285805	压线螺钉橡胶座	THREAD TENSION RUBBER	(1)
29		8108006	压线螺钉螺母	NUT	1
30		8039501	机针线过线板	THREAD GUIDE	1
31		8039600	弯针线过线板	THREAD GUIDE	1
32	02	8119300	机壳压线螺钉孔螺钉	SCREW	1
33	01	8039709	链线压线器座	THREAD GUIDE	1
34	01	8039808	链线压线螺钉	TENSION POST	1
35	01	8039303	压线板	THREAD TENSION DISK	2
36	01	8039204	压线簧座毡垫	THREAD TENSION FELT	1
37	01	8039907	链线压线簧	TENSION SPRING	1
38	01	8038701	压线压簧圈	ROTATING STOPPER	1
39	01	8040004	链线压线螺母	NUT	1
40	01	8110705	链线压夹线螺钉垫圈	THREAD TENSION COLLAR	1
		NOTE	01...GN880-5 用	01...FOR GN880-5	
			02...GN880-3 用	02...FOR GN880-3	

11. 油泵部件

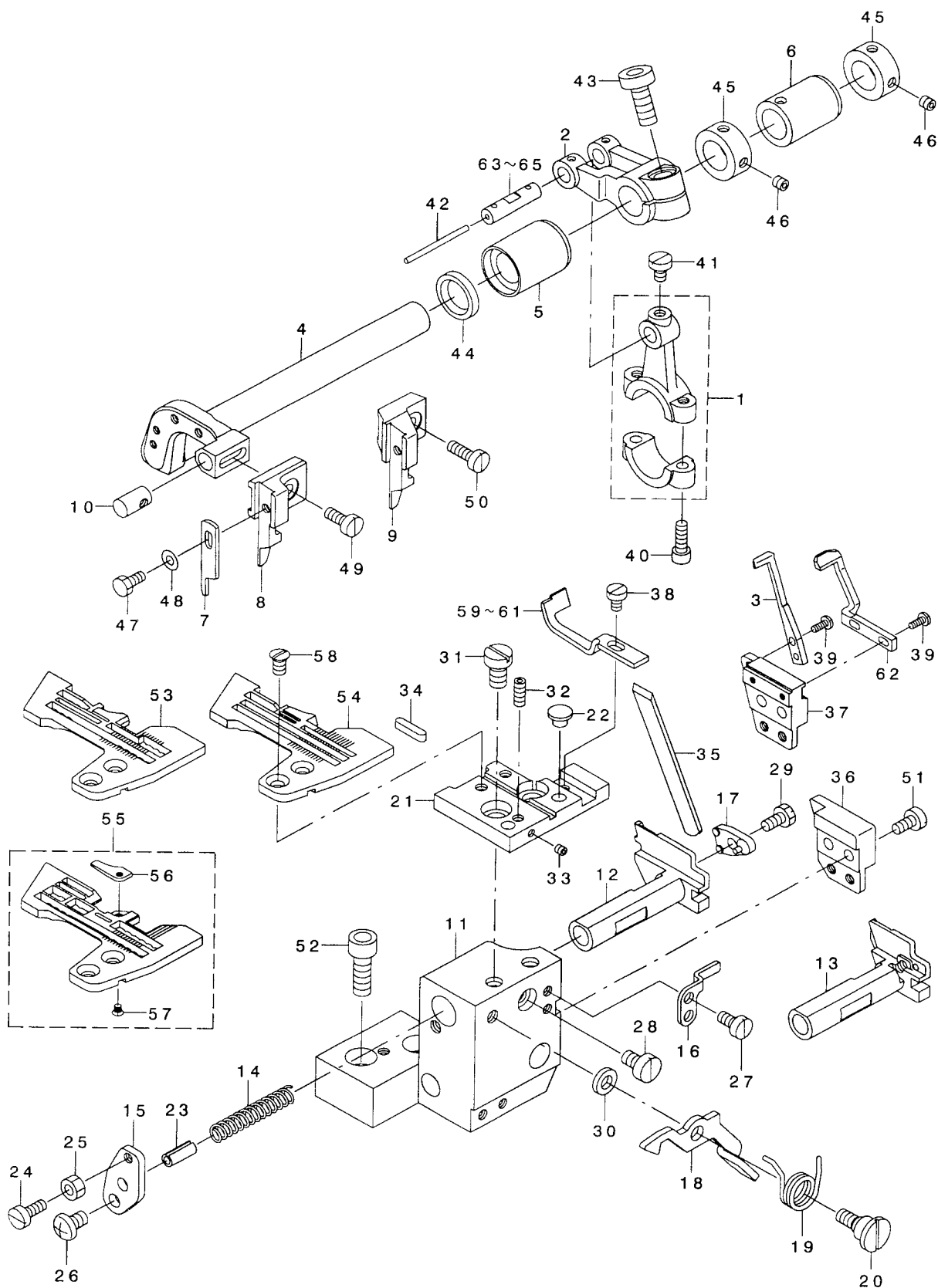
11. LUBRIATION MECHANISM COMPONENTS



序号 REF.NO	NOTE	件号 PART NO.	零件名称	DESCRIPTION	数量 Qty
1		8041507	油泵蜗杆	WORM	1
2		8041663	油泵体总成	OIL PUMP COMPL.	1
3		8041665	油泵体组件	OIL PUMP ASM.	(1)
4		8041804	油泵体外转子	OIL PUMP GEAR OUTER RING	(1)
5		8041903	油泵体内转子	OIL PUMP GEAR INNER RING	(1)
6		8042000	油泵盖	OIL PUMP COVER	(1)
7		8042109	油泵轴	OIL PUMP SHAFT	(1)
8		8042307	油泵滤油网	OIL PUMP NET	(1)
9		8042406	油泵滤油网压板	OIL PUMP NET PRESSER	(1)
10		8042505	油泵蜗轮	WORM GEAR	(1)
11		8101001	油泵内转子销	PIN	(1)
12		SM-8040412-TP	油泵蜗轮紧定螺钉 M4 L=4	SET SCREW M4 L=4	(2)
13		SM-6040800-SP	油泵滤油网压板螺钉	SCREW	(3)
14		SM-6040800-SP	油泵压板螺钉	SCREW	(1)
15		8042604	分油器油管	OILING EXIT PIPE	1
16		8042752	分油器组件	OILING EXIT SUPPORT COMPL.	1
17		8042802	分油器出油管	OILING EXIT	1
18		8042901	油管接头螺母	OILING EXIT JOINT A	1
19		8043008	油管接头螺母密封垫	OILING EXIT JOINT B	1
20		8043107	油标位	OIL GAUGE	1
21		8043255	针杆驱动曲柄销供油毛毡组件	OIL FELT ASM.	1
22		8043206	针杆驱动曲柄销供油毛毡	OIL FELT	(1)
23		8043305	针杆驱动曲柄销供油毛毡压板	OIL FELT PRESSER	(1)
24		CQ-2000000-OO	针杆上轴套油线	OIL WICK	(0.11)
25		8043404	针杆下轴套油毡	RETURNING OIL FILTER	1
26		8043602	上弯针导杆油毡	OIL FELT	1
27		8043701	上弯针导杆油毡压板	UPPER LOOPER OIL FELT	1
28		8043800	上弯针导杆销供油线套	OIL SUPPLY BUSH	1
29		CQ-2520000-OO	上弯针导杆销供油线	OIL WICK	0.03
30	*	8044014	油盘过滤盘	OIL RESERVOIR FILTER BASE	1
31	*	8044113	油盘过滤网	OIL RESERVOIR FILTER	1
32	*	8044212	油盘过滤网压板	FILTER PRESSER PLATE	1
33		8044303	油盘磁铁	MAGNET	1
34		SM-8040412-TP	油泵蜗杆紧定螺钉 M5 L=5	SCREW M5 L=5	2
35		SM-6051402-TP	油泵组件螺钉 M5X0.8 L=14	SCREW M5X0.8 L=14	2
36		WP-0531000-SD	油泵组件螺钉垫圈 M5	WASHER M5	2
37		8113501	油管接头螺栓 (M10)	SCREW	1
38		8103601	油管接头螺栓垫圈	GASKET	1
39		CQ-3030000-OO	针杆连杆销油线	OIL WICK	0.12
40		8118104	针杆连杆销油线螺钉	SCREW	3
41		SS-7060310-SP	上弯针导杆油毡压板螺钉 3/32-56 L=3	SCREW 3/32 - 56 L=3	1
42		CQ-2520000-OO	上弯针导杆销供油线	OIL WICK	0.06
43		SM-6040800-SP	油盘过滤盘螺钉	SCREW	2
44		SM-6041000-SP	油盘过滤网压板螺钉 M4 L=10	SCREW M4 L=10	5
45		8110101	油盘过滤网压板垫圈	WASHER	5
46		NM-6040003-SD	油盘过滤网压板螺母 M4	NUT M4	5
47		SM-6040800-SP	油盘磁铁螺钉	SCREW	1
48		8110507	油盘磁铁垫圈	WASHER	1

12. 上刀部件

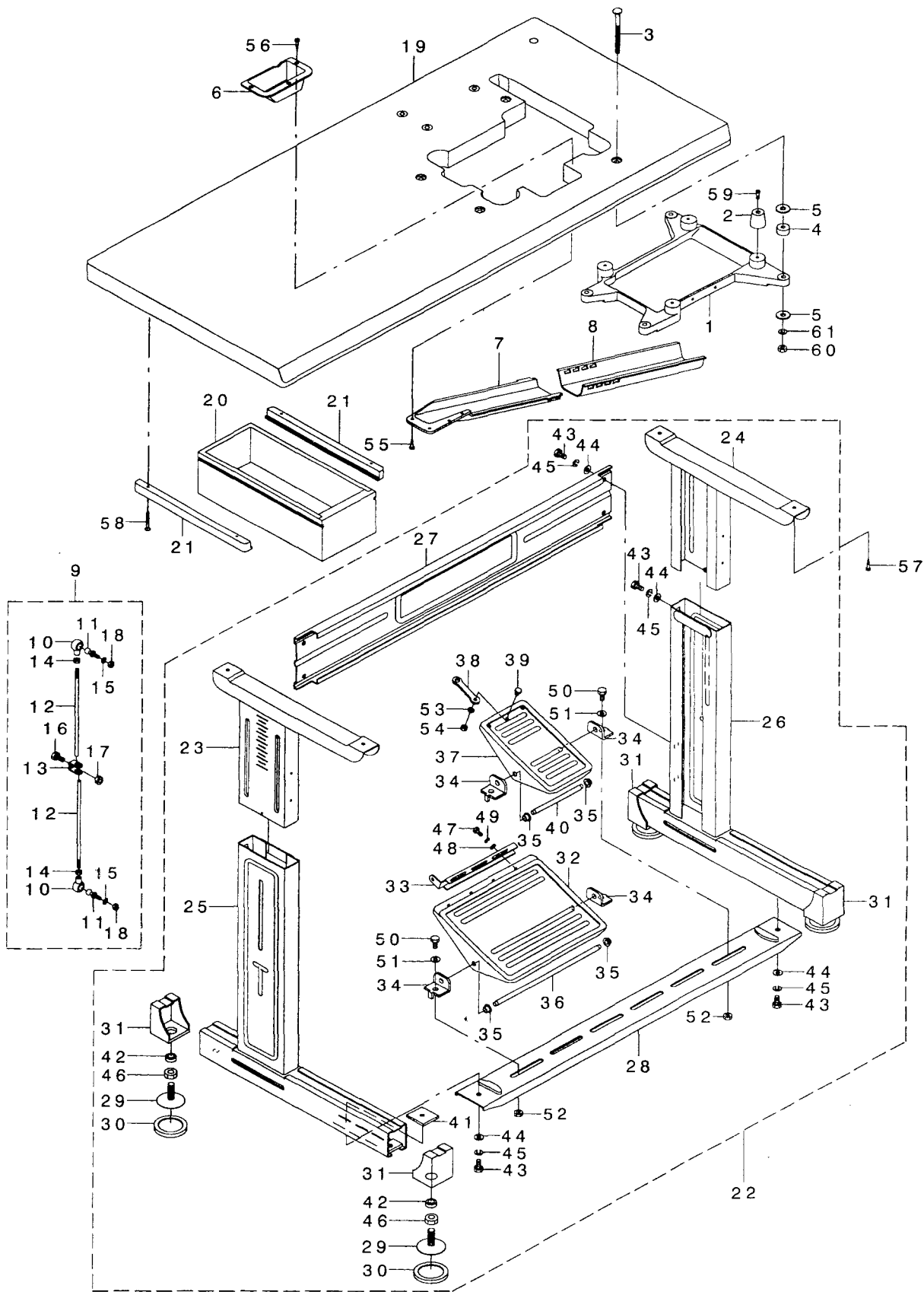
12. KNIFE COMPONENTS



序号 REF.NO	NOTE	件号 PART NO.	零件名称	DESCRIPTION	数量 Qty
1		8045003	上刀连杆	UPPER KNIFE ROD	1
2		8045102	上刀摇杆	UPPER KNIFE FORK ARM	1
3	02	8084705	五线护针	CHAIN LOOPER NEEDLE GUARD	1
4		8045201	上刀轴	KNIFE DRIVING ARM SHAFT	1
5		8045300	上刀轴左轴套	BUSHING, FRONT	1
6		8013001	上刀轴右轴套	BUSHING, REAR	1
7		8045508	上刀	KNIFE	1
8	01	8045607	三四线上刀托	UPPER KNIFE SUPPORT	1
9	02	8045706	五线上刀托	UPPER KNIFE SUPPORT	1
10		8045805	上刀托固定销	UPPER KNIFE GUIDE SHAFT	1
11		8045904	下刀架座	LOWER KNIFE BRACKET	1
12	01	8046001	三四线下刀架	LOWER KNIFE SLIDE STUD	1
13	02	8046100	五线下刀架	LOWER KNIFE SLIDE STUD	1
14		8046209	下刀压簧	SPRING	1
15		8046308	下刀压簧压板	STOPPER PLATE	1
16		8046407	下刀架限位板	ROTAING STOPPER	1
17		8046605	下刀压板	LOWER KNIFE HOLDER	1
18		8046902	缝台锁紧钩	LEVER	1
19		8047009	缝台锁紧钩扭簧	SPRING	1
20		8047108	缝台锁紧钩轴位螺钉	HINGE SCREW	1
21		8047207	针板垫块	THROAT PLATE BASE	1
22		8047306	针杆垫块防震垫	RUBBER PLUG A	2
23		8101605	下刀压簧导销	GUIDE PIN	1
24		SM-6041000-SP	缝台限位螺钉 M4 L=10	SCREW M4 L=10	1
25		NM-6040003-SD	缝台限位螺母 M4	NUT M4	1
26		SM-4050855-SP	下刀压簧压板螺钉	SCREW	1
27		SM-6040800-SP	下刀架限位板螺钉	SCREW	2
28		SM-6050800-SP	三四线下刀架螺钉 M5 L=8	SCREW M5 L=8	1
29		SM-9040800-SP	下刀螺钉	SCREW	1
30		8110804	缝台锁紧钩垫圈	WASHER	1
31		8120308	针板垫块螺钉	SCREW	2
32		SM-8041012-TP	缝台锁紧钩限位螺钉 M4 L=10	SCREW M4 L=10	1
33		SM-8030312-TP	缝台锁紧钩限位紧定螺钉 M3 L=3	SCREW M3 L=3	1
34		8047405	针板定位键	THROAT PLATE POSITIONING KEY	1
35		8047504	下刀	LOWER KNIFE	1
36	01	8046704	三四线护针架	NEEDLE GUARD HOLDER	1
37	02	8046803	五线护针架	NEEDLE GUARD HOLDER	1
38	*	SS-3090610-SP	链线前护针螺钉 9/64-40 L=6	SCREW 9/64 - 40 L=6	1
39	02	8116009	链线后护针螺钉	SCREW	4
40		SM-6041202-TP	上刀连杆螺钉 M4X0.7 L=12	SCREW M4X0.7 L=12	2
41		SM-6040600-SP	上刀连杆销紧定螺钉 M4 L=6	SCREW M4 L=6	1
42		CQ-2000000-OO	上刀连杆销油芯	OIL WICK	0.05
43		SM-6061602-TP	上刀摇杆螺钉 M6 L=16	SCREW M6 L=16	1
44		8105606	上刀轴油封	OIL SEAL	1
45		8100409	上刀轴紧圈	THRUST COLLAR	2
46		SM-8040412-TP	上刀轴紧圈紧定螺钉 M4 L=4	SET SCREW M4 L=4	4
47		SS-9090813-TP	上刀托螺栓 9/64-40 L=8	SCREW 9/64 - 40 L=8	1
48		WP-0370316-SD	上刀垫圈 3.7X8X0.3	WASHER 3.7X8X0.3	1
49	01	SM-6041000-SP	上刀托螺钉 M4 L=10	SCREW M4 L=10	1
50	02	SM-6041200-SP	上刀托螺钉 M4 L=12	SCREW M4 L=12	1
51		SM-6040800-SP	护针架螺钉	SCREW	2
52		SM-6061802-TP	下刀架座螺钉 M6 L=18	SCREW M6 L=18	2
53	03	R4200-LOE-EOO	针板 (3E-OE4-40H)	THROAT PLATE	1
54	04	R4305-LOE-EOO	针板 (4 线)	THROAT PLATE	1
55	02	R4508-LOE-GOO	针板 (5E-DE4-40H)	THROAT PLATE	1
56	02	8085009	小针板	THROAT PLATE CLAW	(1)
57	02	SS-1060210-TP	小针板螺钉 3/32-56 L=2.2	SCREW 3/32 - 56 L=2.2	(1)
58		8116504	针板螺钉	SCREW	2
59	03	8084101	三线护针	NEEDLE GUARD	1
60	04	8084200	四线护针	NEEDLE GUARD	1
61	02	8084408	链线前护针	CHAIN LOOPER NEEDLE GUARD	1
62	02	8084507	链线后护针	CHAIN LOOPER NEEDLE GUARD	1
63	05	8016202	上刀连杆销A	CRANK PIN A	1
64	05	8016400	上刀连杆销B	CRANK PIN B	1
65	05	8016509	上刀连杆销C	CRANK PIN C	1
NOTE			01....GN880-3, GN880-4 用	01....FOR GN880-3, FOR GN880-4	
			02....GN880-5 用	02....FOR GN880-5	
			03....GN880-3 用	03....FOR GN880-3	
			04....GN880-4 用	04....FOR GN880-4	
			05....另件选配件	05....FOR SELECTIVE PART	

13. 机架台板部件 (桌上式)

13. SEMI-SUNKEN TYPE TABLE COMPONENTS



序号 REF.NO	NOTE	件号 PART NO.	零件名称	DESCRIPTION	数量 Qty
1		8048007	机头托盘	FRAME SUPPORT PLATE ASM.	1
2		8048106	机头防震垫	RUBBER CUSHION	4
3		8048205	机头托盘方颈螺钉A	BOLT A	4
4		8047900	机头托盘防震垫	BOLT SPACER	4
5		8111307	机头托盘垫圈	WASHER	8
6		8049401	布屑槽口	CLOTH WASTE CHUTE INLET	1
7		8048502	布屑槽 (上)	CLOTH WASTE CHUTE, UPPER	1
8		8048601	布屑槽 (下)	CLOTH WASTE CHUTE, LOWER	1
9	01	8048759	拉杆组件	CONNECTING ROD JOINT ASM.	1
10		8048700	拉杆球接头座	CONNECTING ROD JOINT	(2)
11		8048809	拉杆球接头	CONNECTING ROD JOINT A	(2)
12		8048908	拉杆	CONNECTING ROD	(2)
13		8049005	拉杆夹头	CONNECTING BASE	(1)
14		8108808	拉杆球接头螺母	NUT	(2)
15		8112107	拉杆球接头弹簧垫圈	SPRING WASHER	(2)
16		8125307	拉杆夹头螺栓	BOLT	(1)
17		8109004	拉杆夹头螺母	NUT	(1)
18		8108008	拉杆螺母	NUT	(2)
19	01	8049104	台板	TABLE ASM. (SEMI - SUNKEN)	1
20	01	8049203	抽斗	DRAWER	1
21	01	8049302	抽斗导轨	DRAWER SUPPORT	2
22	01	8050052	T型机架组件	T - STAND COMPL.	1
23		8050151	台板支架 (左)	UPPER STAND COMPL., LEFT	(1)
24		8050250	台板支架 (右)	UPPER STAND COMPL., RIGHT	(1)
25		8050557	机架脚架 (左)	LOWER STAND COMPL., LEFT	(1)
26		8050656	机架脚架 (右)	LOWER STAND COMPL., RIGHT	(1)
27		8051209	脚架后横档	SIDE STRUT	(1)
28		8051308	踏板横档	LOWER STRUT	(1)
29		8051456	机架调节座	ADJUSTING SCREW COMPL.	(4)
30		8051605	机架调节座橡胶套	BASE CAP	(4)
31		8051704	橡胶脚套	STAND BASE CAP	(4)
32		8051852	大踏板组件	PEDAL COMPL.	(1)
33		8052009	踏板调节板	PEDAL ADJUSTING PLATE	(1)
34		8052108	踏板支座	PEDAL SUPPORT	(4)
35		8052207	踏板轴套	BUSHING	(4)
36		8052306	大踏板轴	PEDAL SHAFT	(1)
37		8052405	小踏板	PRESSER LIFTING PEDAL	(1)
38		8052504	小踏板连接板	CHAIN HOOK	(1)
39		8052603	小踏板连接板螺栓	SCREW	(1)
40		8052702	小踏板轴	PEDAL SHAFT	(1)
41		8052801	踏板横档方螺母	NUT	(2)
42		8052900	机架调节座垫圈	COLLAR	(4)
43		8125307	机架螺栓	BOLT	(16)
44		8111109	机架垫圈	WASHER	(16)
45		8112206	机架弹簧垫圈	SPRING WASHER	(16)
46		8109301	机架调节座螺母	NUT	(4)
47		8124706	踏板调节板螺钉	SCREW	(2)
48		8110903	踏板调节板垫圈	WASHER	(2)
49		8112107	踏板调节板弹簧垫圈	SPRING WASHER	(2)
50		8125307	踏板支座架螺栓	BOLT	(4)
51		8111109	踏板支座架垫圈	WASHER	(8)
52		8109004	踏板支座架螺母	NUT	(4)
53		8112107	小踏板连接板弹簧垫圈	SPRING WASHER	(1)
54		8108808	小踏板连接板螺母	NUT	(1)
55		8126107	布屑槽 (上) 螺钉	SCREW	4
56	*	8126602	布屑槽口螺钉	SCREW	3
57	01	8126206	台板木螺钉	WOOD SCREW	4
58	01	8126503	抽斗导轨螺钉	SCREW	4
59		8113709	机头防震垫轴位螺钉	SCREW	4
60		8109004	机头托盘螺母	NUT	4
61		8112206	机头托盘弹簧垫圈	SPRING WASHER	4

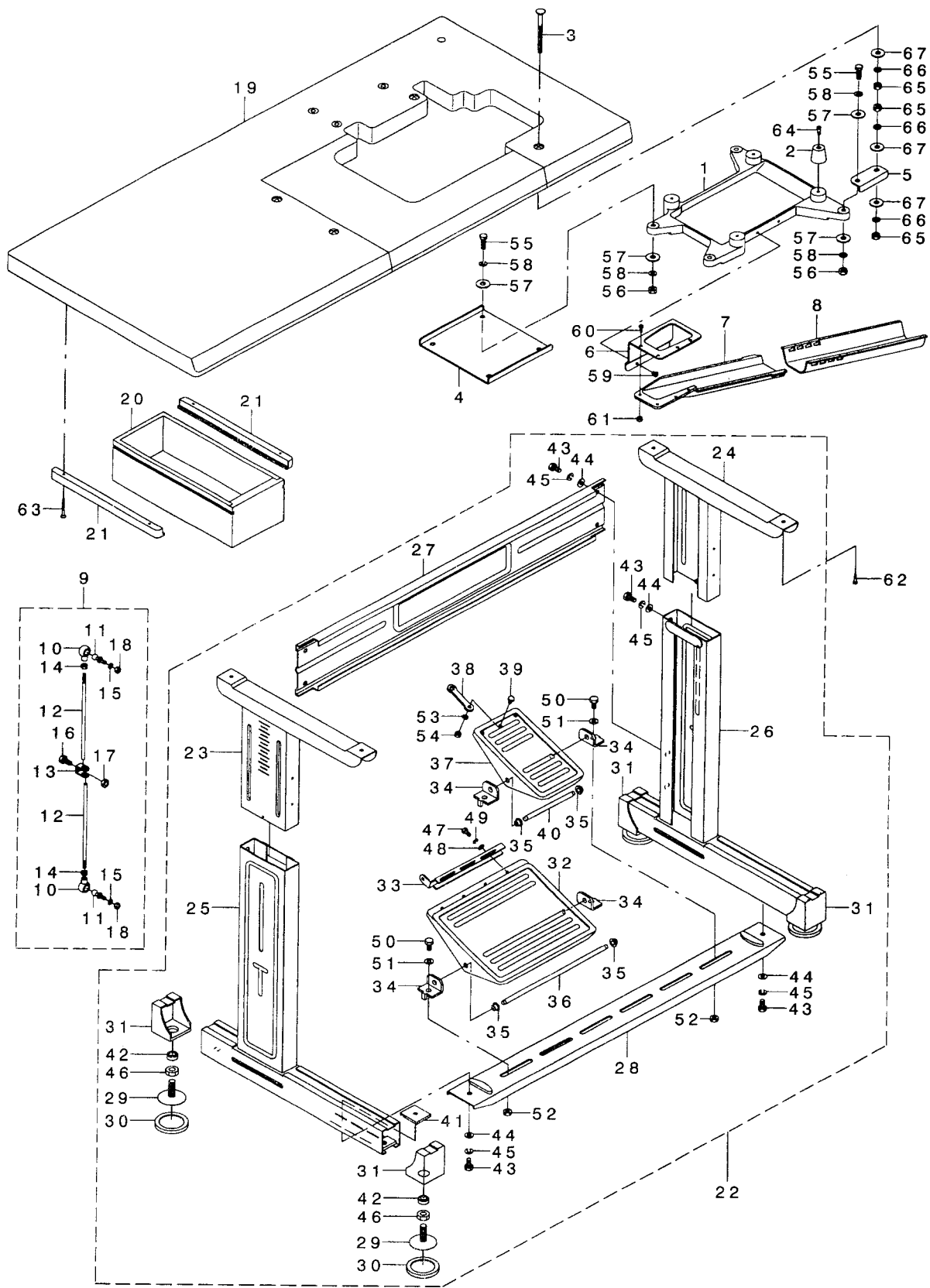
NOTE

01.... 不随机头出厂

01....EXCLUDED WHEN DELIVERING
HEAD ONLY.

14. 机架台板部件 (全沉式)

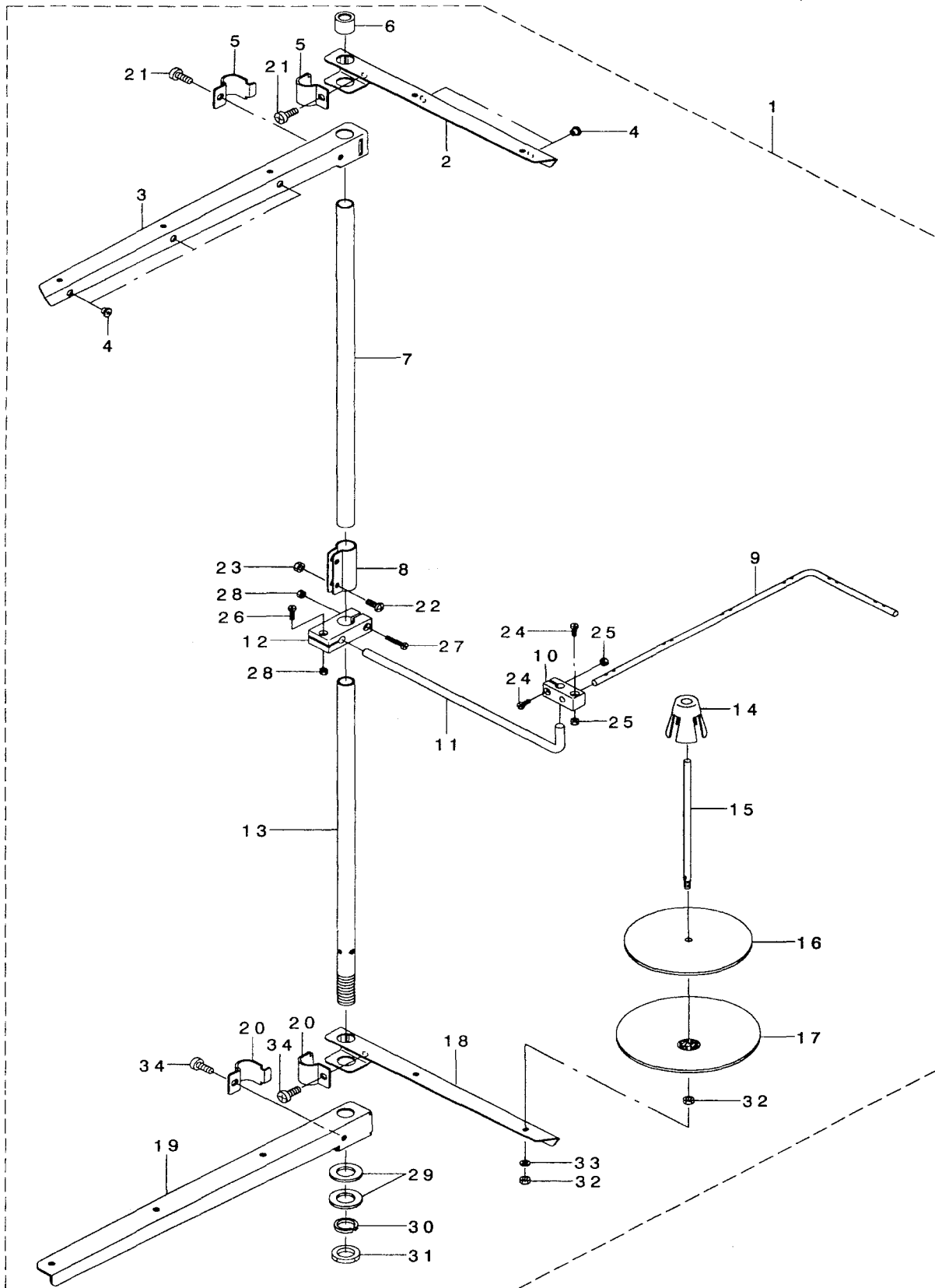
14. FULLY-SUNKEN TYPE TABLE COMPONENTS



序号 REFNO	NOTE	件号 PART NO.	零件名称	DESCRIPTION	数量 Qty
1		8048007	机头托盘	PRAME SUPPORT PLATE ASM.	1
2		8048106	机头防震垫	RUBBER CUSHION	4
3		8053205	机头托盘方颈螺栓B	BOLT B	4
4		8053304	机头托盘连接板A	AUXILIART PLATE A	1
5		8053403	机头托盘连接板B	AUXILIART PLATE B	1
6		8053502	集料槽限位板	SUPPORT PLATE	1
7		8048502	布屑槽（上）	CLOTH WASTE CHUTE, UPPER	1
8		8048601	布屑槽（下）	CLOTH WASTE CHUTE, LOWER	1
9	01	8048759	拉杆组件	CONNECTING ROD JOINT ASM.	1
10		8048700	拉杆球接头座	CONNECTING ROD JOINT	(2)
11		8048809	拉杆球接头	CONNECTING ROD JOINT A	(2)
12		8048908	拉杆	CONNECTING ROD	(2)
13		8049005	拉杆夹头	CONNECTING BASE	(1)
14		8108808	拉杆球接头螺母	NUT	(2)
15		8112107	拉杆球接头弹簧垫圈	SPRING WASHER	(2)
16		8125307	拉杆夹头螺栓	BOLT	(1)
17		8109004	拉杆夹头螺母	NUT	(1)
18		8108808	拉杆螺母	NUT	(2)
19	01	8053650	台板（全沉式）组件	TABLE ASM., FULLY -SUNKEN TYPE	1
20	01	8049203	抽斗	DRAWER	1
21	01	8049302	抽斗导轨	DRAWER SUPPORT	2
22	01	8050052	T型机架组件	T - STAND COMPL.	1
23		8050151	台板支架（左）	UPPER STAND COMPL., LEFT	(1)
24		8050250	台板支架（右）	UPPER STAND COMPL., RIGHT	(1)
25		8050557	机架脚架（左）	LOWER STAND COMPL., LEFT	(1)
26		8050656	机架脚架（右）	LOWER STAND COMPL., RIGHT	(1)
27		8051209	脚架后横档	SIDE STRUT	(1)
28		8051308	踏板横档	LOWER STRUT	(1)
29		8051456	机架调节座	ADJUSTING SCREW COMPL.	(4)
30		8051605	机架调节座橡胶套	BASE CAP	(4)
31		8051704	橡胶脚套	STAND BASE CAP	(4)
32		8051852	大踏板组件	PEDAL COMPL.	(1)
33		8052009	踏板调节板	PEDAL ADJUSTING PLATE	(1)
34		8052108	踏板支座	PEDAL SUPPORT	(4)
35		8052207	踏板轴套	BUSHING	(4)
36		8052306	大踏板轴	PEDAL SHAFT	(1)
37		8052405	小踏板	PRESSER LIFTING PEDAL	(1)
38		8052504	小踏板连接板	CHAIN HOOK	(1)
39		8052603	小踏板连接板螺栓	SCREW	(1)
40		8052702	小踏板轴	PEDAL SHAFT	(1)
41		8052801	踏板横档方螺母	NUT	(2)
42		8052900	机架调节座垫圈	COLLAR	(4)
43		8125307	机架螺栓	BOLT	(16)
44		8111109	机架垫圈	WASHER	(16)
45		8112206	机架弹簧垫圈	SPRING WASHER	(16)
46		8109301	机架调节座螺母	NUT	(4)
47		8124706	踏板调节板螺钉	SCREW	(2)
48		8110903	踏板调节板垫圈	WASHER	(2)
49		8112107	踏板调节板弹簧垫圈	SPRING WASHER	(2)
50		8125307	踏板支座架螺栓	BOLT	(4)
51		8111109	踏板支座架垫圈	WASHER	(8)
52		8109004	踏板支座架螺母	NUT	(4)
53		8112107	小踏板连接板弹簧垫圈	SPRING WASHER	(1)
54		8108808	小踏板连接板螺母	NUT	(1)
55		8125406	机头托盘连接板螺栓	BOLT	3
56		8109004	机头托盘连接板螺母	NUT	3
57		8111307	机头托盘连接板垫圈	WASHER	6
58		8112206	机头托盘连接板螺栓弹簧垫圈	SPRING WASHER	6
59		SM-4050855-SP	布屑槽压板螺钉	SCREW	2
60		SM-6041200-SP	布屑槽（上）螺钉 M4 L=12	SCREW M4 L=12	4
61		8108303	布屑槽（上）螺母	NUT	4
62	01	8126206	台板木螺钉	WOOD SCREW	4
63	01	8126503	抽斗导轨螺钉	SCREW	4
64		8113709	机头防震垫轴位螺钉	SCREW	4
65		8109004	机头托盘螺母	NUT	12
66		8112206	机头托盘弹簧垫圈	SPRING WASHER	12
67		8111307	机头托盘垫圈	WASHER	12
		NOTE	01....不随机头出厂	01....EXCLUDER WHEN DELIVERING HEAD ONLY.	

15. 线架部件

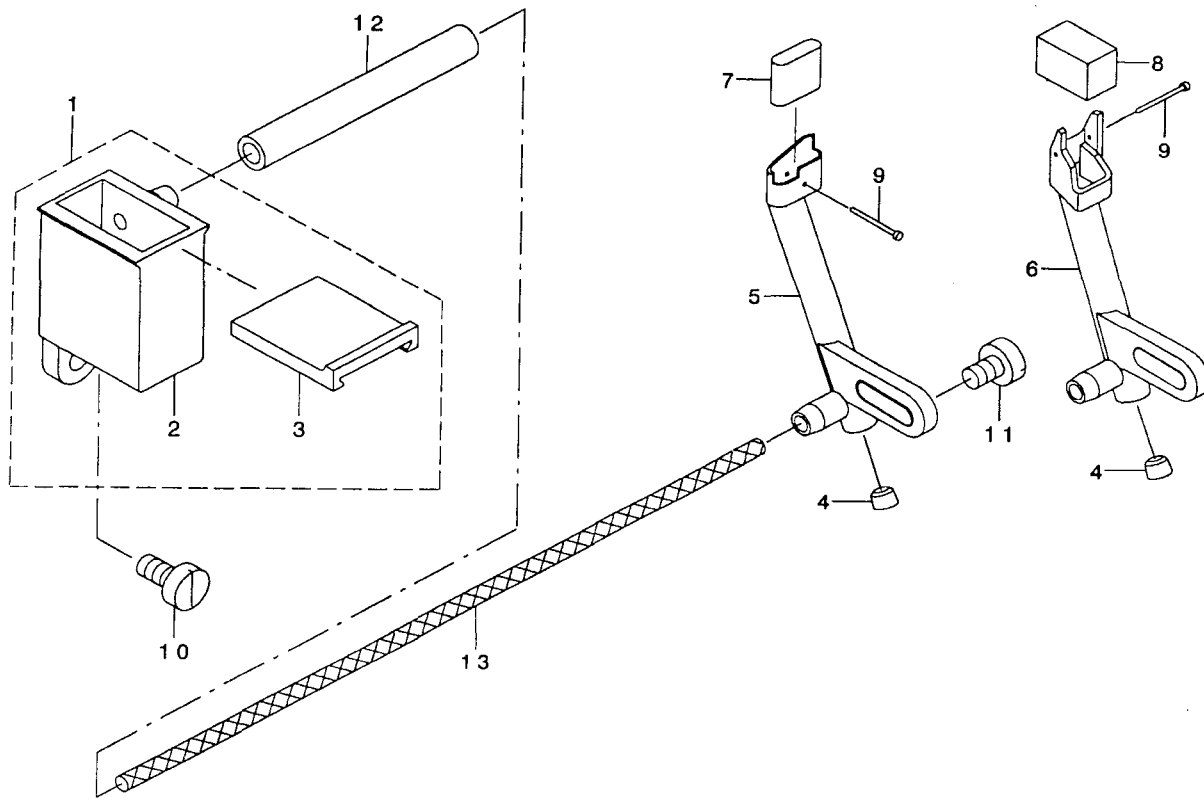
15. THREAD STAND COMPONENTS



序号 REF.NO	NOTE	件号 PART NO.	零件名称	DESCRIPTION	数量 Qty
1		8060150	线架组件	THREAD STANDING DEVICE ASM.	1
2		8330507	二线过线板	SPOOL REST ARM	(1)
3		8061703	三线过线板	SPOOL REST ARM, LONG	(1)
4		8331208	过线圈	THREAD GUIDE	(5)
5		8330705	夹紧圈	THREAD GUIDE ARM JOINT	(2)
6		8331406	立柱闷头	SPOOL REST ROD RUBBER CAP	(1)
7		8330408	立柱(上)	SPOOL REST ROD, UPPER	(1)
8		8331307	立柱接头	SPOOL REST ROD JOINT	(1)
9		8060705	中过线杆	SPOOL REST ROD, LOWER	(1)
10		8060804	中过线杆夹头	LOWER SPOOL REST ROD BASE	(1)
11		8060903	中过线接杆	THREAD GUIDE ARM	(1)
12		8061000	中过线接杆夹头	THREAD GUIDE ARM BASE	(1)
13		8330309	立柱(下)	SPOOL REST ROD, LOWER	(1)
14		8331109	线圈定心节	SPOOL RETAINER	(5)
15		8331000	线柱	SPOOL PIN	(5)
16		8330903	线盘垫	SPOOL REST CUSHION	(5)
17		8330804	线盘	SPOOL REST	(5)
18		8330507	二线线架盘	SPOOL REST ARM	(1)
19		8061703	三线线架盘	SPOOL REST ARM, LONG	(1)
20		8330705	夹紧圈	THREAD GUIDE ARM JOINT	(2)
21	*	SM-6061610-SC	过线板螺钉	SCREW M6 L=16	(2)
22		SM-4051405-SE	立柱接头螺钉	SCREW M5 L=14	(2)
23		NM-6050001-SE	立柱接头螺母	NUT M5	(2)
24		8118302	中过线杆夹头螺钉	SCREW	(2)
25		8108303	中过线杆夹头螺钉螺母	NUT	(2)
26		8118401	中过线接杆夹头螺钉A	SCREW A	(1)
27		8118500	中过线接杆夹头螺钉B	SCREW B	(1)
28		8108303	中过线接杆夹头螺母	NUT	(2)
29		WP-1702600-SO	立柱(下)垫圈	WASHER 17X30X2.6	(2)
30		WS-1643202-KR	波形垫圈	SPRING WASHER	(1)
31		NM-6160511-SE	立柱(下)细牙扁螺母	NUT M16X1.5	(1)
32		NM-6050001-SE	线柱方螺母	NUT M5	(5)
33		WS-0510002-KN	线柱弹簧垫圈	SPRING WASHER	(5)
34		SM-6061610-SC	线架盘螺钉	SCREW M6 L=16	(2)

16. 机针冷却部件

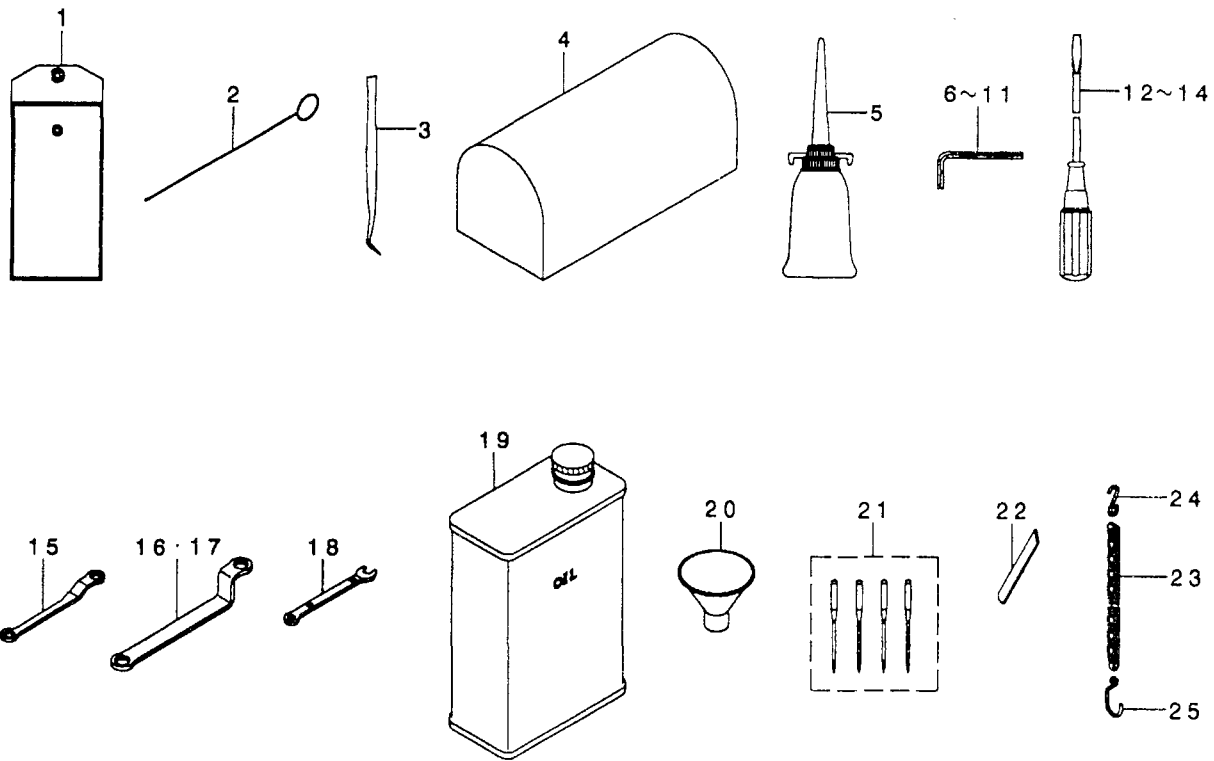
16. NEEDLE COOLER COMPONENTS



序号 REF.NO	NOTE	件号 PART NO.	零件名称	DESCRIPTION	数量 Qty
1		8058550	针尖冷却油盒组件	NEEDLE COOLER TANK ASM.	1
2		8058501	针尖冷却油箱体	NEEDLE COOLER TANK	(1)
3		8058600	针尖冷却油盒盖	TANK COVER	(1)
4		8106505	针尖冷却座闷塞	PLUG	1
5	01	8058709	三四线针尖冷却座	NEEDLE COOLER UNIT (OVER)	1
6	02	8058804	五线针尖冷却座	NEEDLE COOLER UNIT (INTER)	1
7	01	8059103	三四线针尖冷却毛毡	NEEDLE COOLER FELT	1
8	02	8058907	五线针尖冷却毛毡	NEEDLE COOLER FELT	1
9		8059004	针尖冷却毛毡销	NEEDLE COOLER FELT PRESSER	1
10		SM-6040800-SP	针尖冷却油盒螺钉	SCREW	1
11		SM-6040600-SP	针尖冷却座螺钉 M4 L=6	SCREW M4 L=6	2
12		8102603	针尖冷却毛毡供油管	NEEDLE COOLER PIPE	0.05
13		8102405	针尖冷却毛毡供油线	NEEDLE COOLER OIL WICK	0.15
NOTE		01....GN880-3, 880-4 用		01....FOR GN880-3, 880-4	
		02....GN880-5 用		02....FOR GN880-5	

17.附件

17.ACCESSORIE PART COMPONENTS



序号 REF.NO	NOTE	件号 PART NO.	零件名称	DESCRIPTION	数量 Qty
1		8055002	附件袋	ACCESSORY PACK	1
2		8055101	穿线钩	THREADER	1
3		8055200	弯头镊钳	TWEEZERS	1
4		8055309	机头套	VINYL HEAD COVER	1
5		8055408	小油壶	OILER	1
6		8056802	六角扳手 (1.6)	HEXAGONAL WRENCH, 1.5	1
7		8055606	六角扳手 (2.0)	HEXAGONAL WRENCH, 2.0	1
8		8055705	六角扳手 (2.5)	HEXAGONAL WRENCH, 2.5	1
9		8055804	六角扳手 (3.0)	HEXAGONAL WRENCH, 3.0	1
10		8055903	六角扳手 (4.0)	HEXAGONAL WRENCH, 4.0	1
11		8056000	六角扳手 (5.0)	HEXAGONAL WRENCH, 5.0	1
12		8056109	一字槽螺钉旋具 (大)	SCREWDRIVER,SMALL	1
13		8056208	一字槽螺钉旋具 (长)	SCREWDRIVER,MIDDLE	1
14		8056307	一字槽螺钉旋具 (短)	SCREWDRIVER,LARGE	1
15		8056505	梅花扳手 (7X7)	SPECTALE WRENCH, 7X7	1
16		8056406	梅花扳手 (5.5)	SPECTALE WRENCH, 5.5	1
17		8056703	梅花扳手 (9.0)	SPECTALE WRENCH, 9.0	1
18		8057701	六角扳手 (5X6)	WRENCH, 5x6	1
19		8057107	油桶 (900CC)	OIL	1
20		8057206	漏斗	FUNNEL	1
21		MDC270B1104	机针 (DCx27-#11)	NEEDLE DCX27#11-4EA	1
22		8047504	下刀	LOWER KNIFE	1
23		8057404	链条	CHAIN	1
24		8057503	链条钩 (小)	S-SHAPED MFTAL FITTING, SMALL	1
25		8057602	链条钩 (大)	S-SHAPED MFTAL FITTING, LARGE	1